

TABLE OF CONTENTS

General Anchor Bolt Notes	3
AB0010PE – Anchor Bolt Plan	4
AB0020PE – Sidewall Or Endwall Column Setback.....	5
AB0030PE – Column At Finish Floor	6
AB0040PE – Column Base Pocket	7
AB0050PE – Base Plate With Grout Required	8
AB0060PE – Endwall Column Inset Detail – (Cold Form).....	9
AB0070PE – Endwall Column Bypass Detail – (Cold Form).....	10
AB0080PE – Endwall Column Inset Detail – (Built - Up).....	11
Fixed Base Post & Beam Corner Columns (Inset Girt Conditions).....	12
BU8LT_PE	12
BU8RT_PE.....	13
BU8LB_PE	14
BU8RB_PE	15
Fixed Base Post & Beam Corner Columns (Bypass Girt Condition).....	16
BUB8LTPE.....	16
BUB8RTPE	17
BUB8LBPE.....	18
BUB8RBPE	19
Single Or Double Cee Post & Beam Corner Columns.....	20
C4LT_PE.....	20
C4RT_PE	21
C4LB_PE	22
C4RB_PE.....	23
Built - Up Endwall Columns	24
BU4LX_PE	24
BU4RX_PE	25
Fixed Base Intermediate Endwall Columns	26
BU8LX_PE	26
BU8RX_PE	27
Single Or Double Cee Endwall Columns	28
C4LI_PE.....	28
C4RI_PE	29
Built - Up Rigid Frame Corner Columns	30

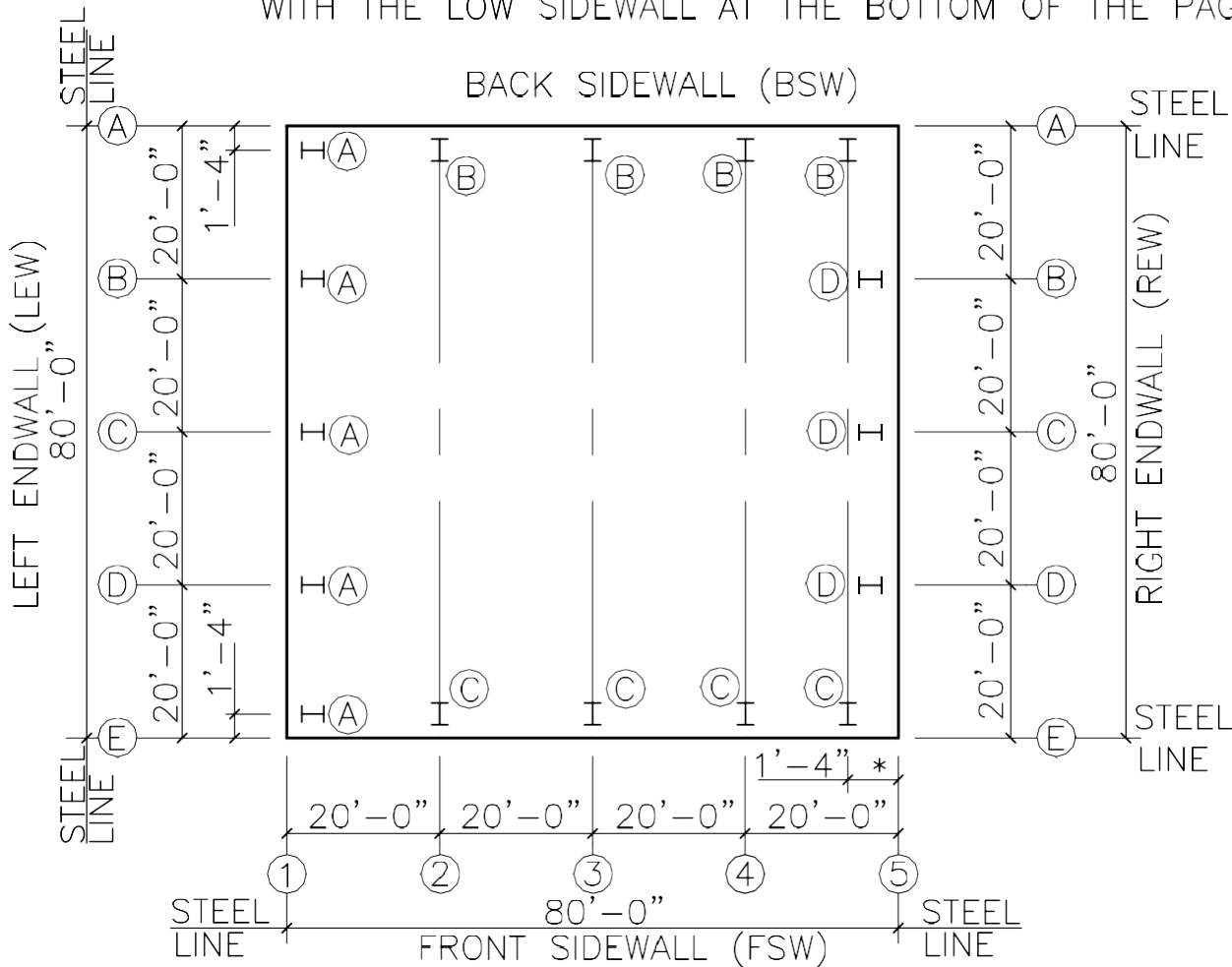
BU6TL_PE	30
BU6TR_PE	31
BU6BL_PE	32
BU6BR_PE	33
Built - Up Rigid Frame Sidewall Details	34
BU6TX_PE	34
BU6BX_PE	35
Pipe & Tube Interior Columns	36
RC4IN_PE	36
SC4IN_PE	37
Built - Up Interior Columns	38
BU4IN_PE	38
BU6IN_PE	39
AB0180PE – Sidewall Portal Frames – General Information	40
Sidewall Portal Frame Corner Columns	41
PC6TL_PE	41
PC6TR_PE	42
PC6BL_PE	43
PC6BR_PE	44
PC6BLXPE	45
PC6BRXPE	46
PC6TLXPE	47
PC6TRXPE	48
AB0190PE – Corner Bracing Tee Plate Details	49
Bracing Tee Plates (At Interior Bays)	50
BT4LX_PE	50
BT4RX_PE	51
BT4BX_PE	52
BT4TX_PE	53

GENERAL ANCHOR BOLT NOTES

1. Nucor supplies (3) sets of 11" X 17" anchor bolt setting plans on all building orders.
2. The anchor bolt patterns and foundation details in this section are shown primarily to assist designers and estimators.
3. Anchor bolt setting plans may be drawn using the data in this section. If such a drawing is done, it must be submitted with the building order to ensure plan details are followed.
4. All anchor bolts are ASTM F1554 Grade 36 unless noted otherwise. Nucor sizes the anchor bolt for shear and tension at the column base. All aspects of the foundation design including anchor bolt embedment length and development to the concrete is not by Nucor. The responsible architect or engineer for a specific project must see that this is done by a professional who is qualified for this type of work.
5. **ANCHOR BOLTS AND NUTS ARE NOT SUPPLIED BY NUCOR AS PART OF THE BUILDING ORDER.**
6. *In keeping with a continuing program of product development, all information contained herein is subject to change.*
7. Base plate elevation is assumed to be "at finished floor" (without grout) unless specified otherwise on the order documents.
8. If "Bert" anchor bolt plan and reactions are used, they must be submitted with the order documents.
9. Standard anchor bolt projection is 3" above the bottom of the baseplate (grout thickness needs to be added to the projection where grout is used).
10. **IMPORTANT NOTE: The Nucor Anchor Bolt Setting Plan MUST be used in lieu of the Architect's Anchor Bolt Setting plan.**

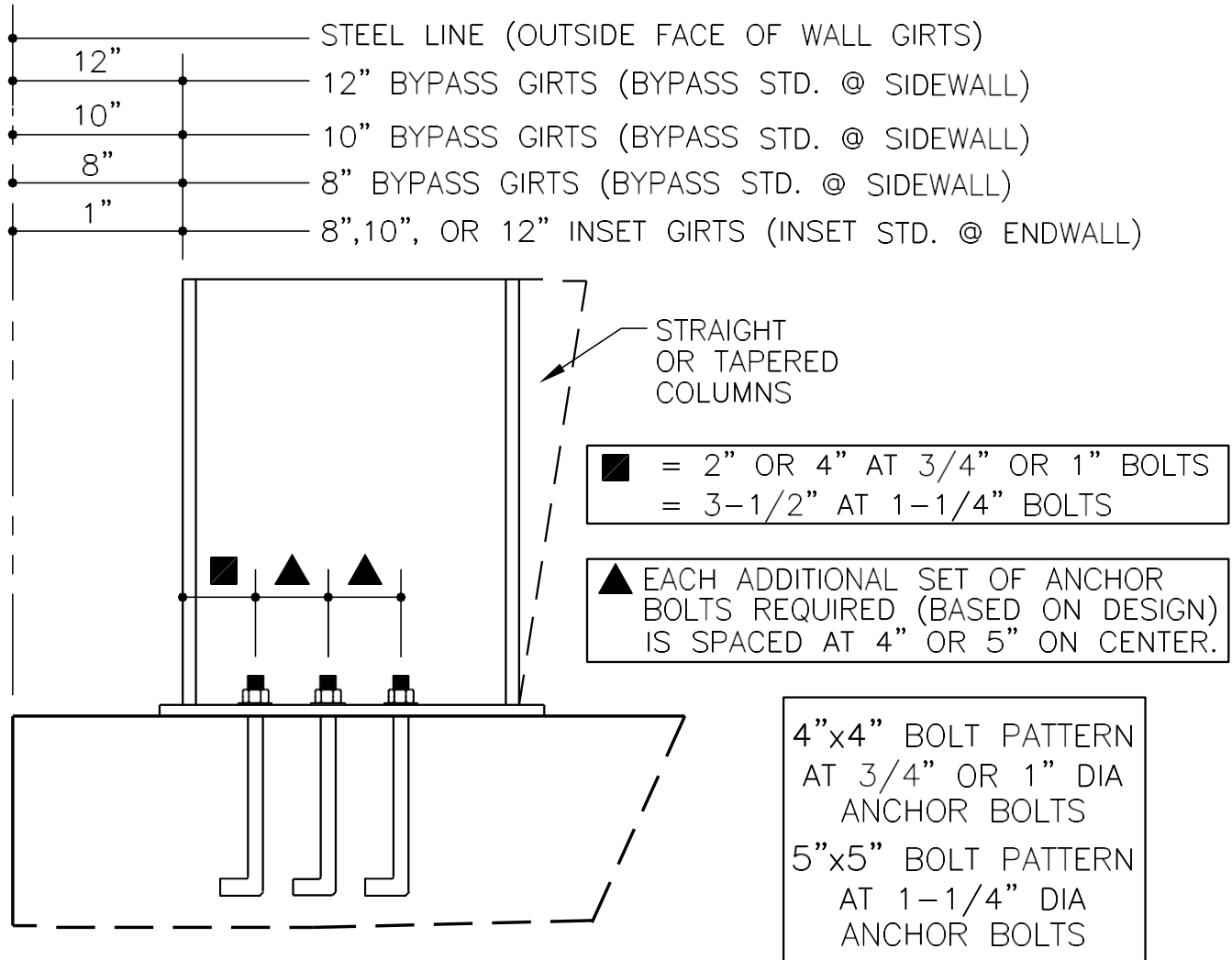
AB0010PE – ANCHOR BOLT PLAN

1. STANDARD ORIENTATION SHOWN
2. TYPICALLY SINGLE SLOPE BUILDINGS WILL BE ORIENTED WITH THE LOW SIDEWALL AT THE BOTTOM OF THE PAGE.

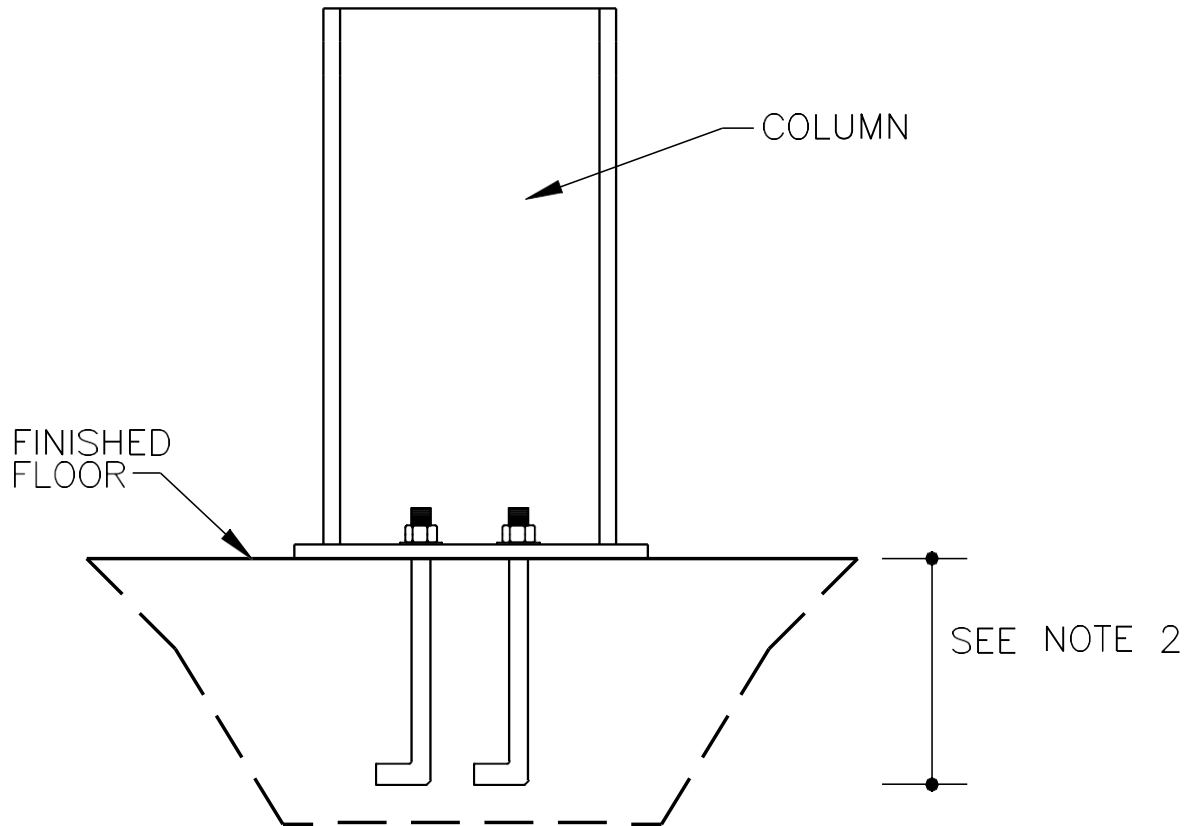


*NOTE: AT RIGID FRAME ENDWALLS, 1'-4" IS STANDARD SETBACK. THIS DIMENSION WILL SOMETIMES INCREASE DUE TO AUXILIARY CRANE COLUMN DEPTHS ON CRANE JOBS.

AB0020PE – SIDEWALL OR ENDWALL COLUMN SETBACK



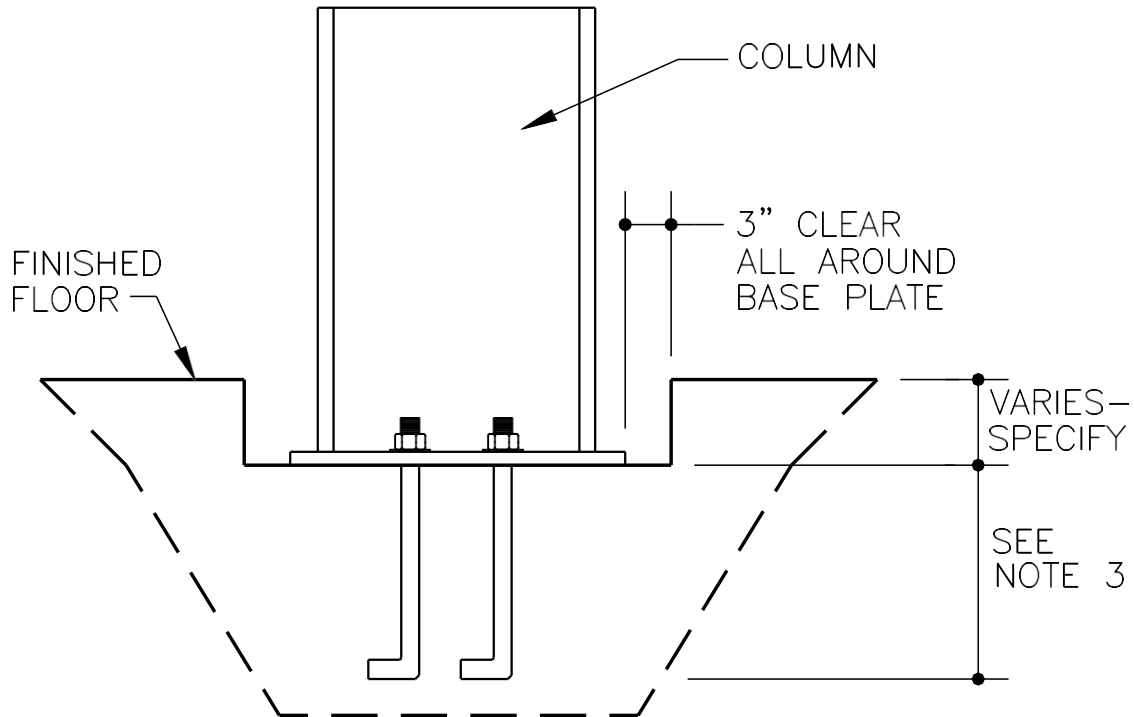
AB0030PE – COLUMN AT FINISH FLOOR



NOTES

1. THIS CONDITION IS STANDARD AT ALL COLUMNS. IF COLUMN IS TO BE RECESSED BELOW FINISH FLOOR (AB0040PE), IT MUST BE REQUESTED AND QUOTED AS AN OPTION.
2. ANCHOR BOLT LENGTH TO BE DETERMINED BY FOUNDATION ENGINEER FOR APPROPRIATE REACTIONS AND FOUNDATION CONDITIONS.

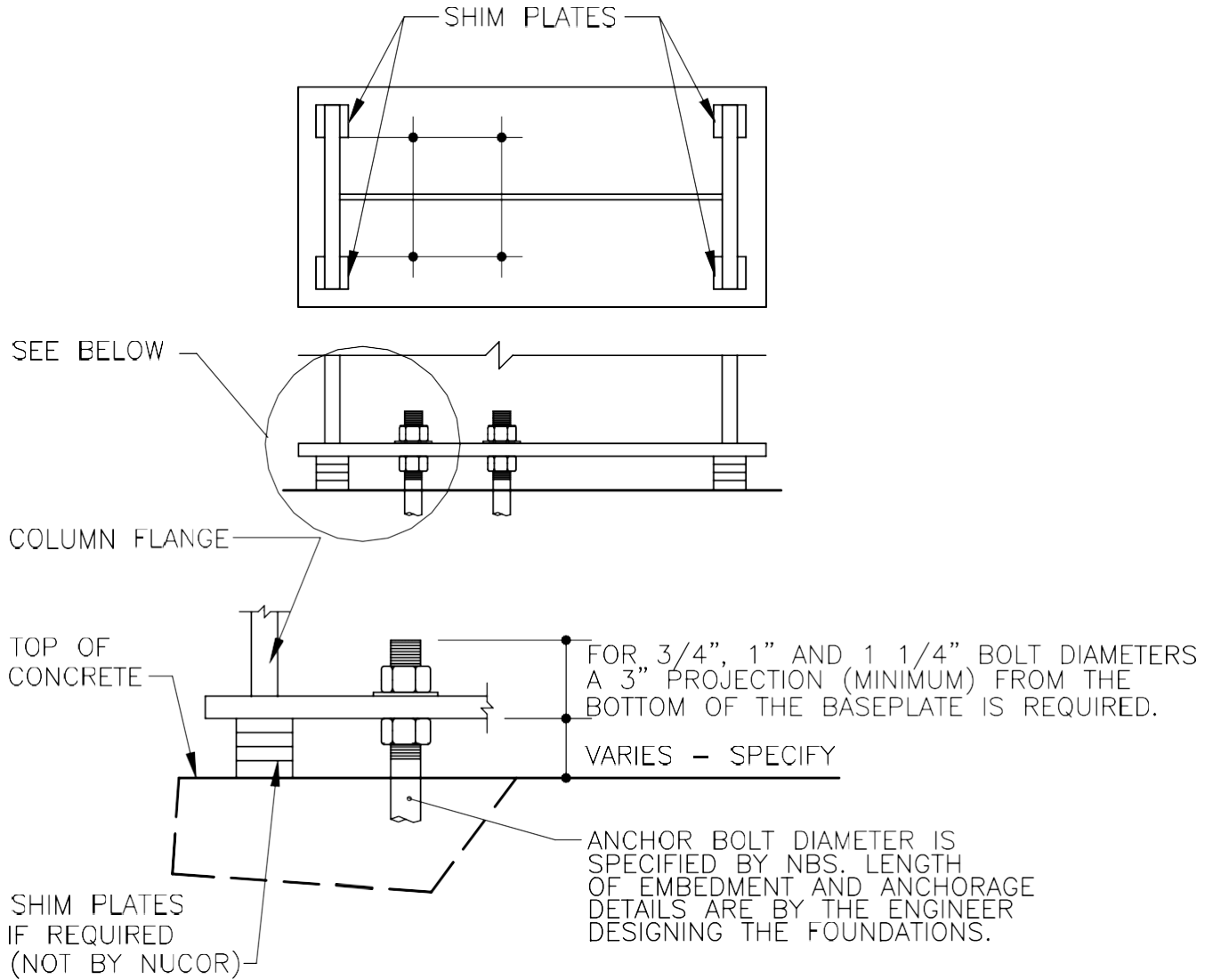
AB0040PE – COLUMN BASE POCKET



NOTES

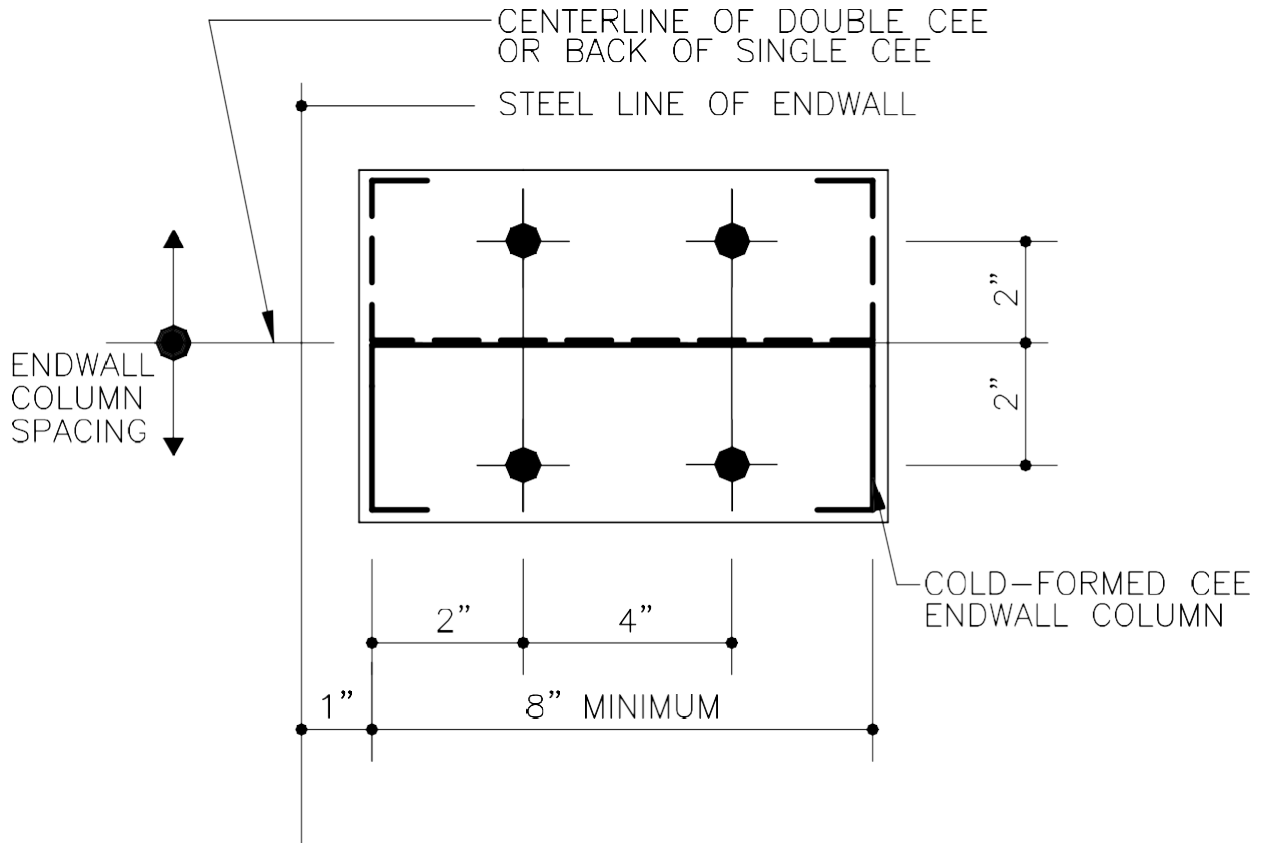
1. COLUMNS MAY BE PLACED IN POCKET TO CONCEAL BASE PLATE AND ANCHOR BOLTS.
2. THIS CONDITION MUST BE REQUESTED AND QUOTED AS AN OPTIONAL CONDITION. THE STANDARD CONDITION IS FOR THE BASE PLATE TO BE AT FINISHED FLOOR.
3. ANCHOR BOLT LENGTH TO BE DETERMINED BY FOUNDATION ENGINEER FOR APPROPRIATE REACTIONS AND FOUNDATION CONDITIONS.

AB0050PE – BASE PLATE WITH GROUT REQUIRED



AB0060PE – ENDWALL COLUMN INSET DETAIL – (COLD FORM)

NOTE: FOR EASE OF FABRICATION, COLD-FORMED COLUMNS MAY HAVE (6) BASEPLATE HOLES. ANCHOR BOLTS ARE REQUIRED AS SHOWN ON THE DETAILS.

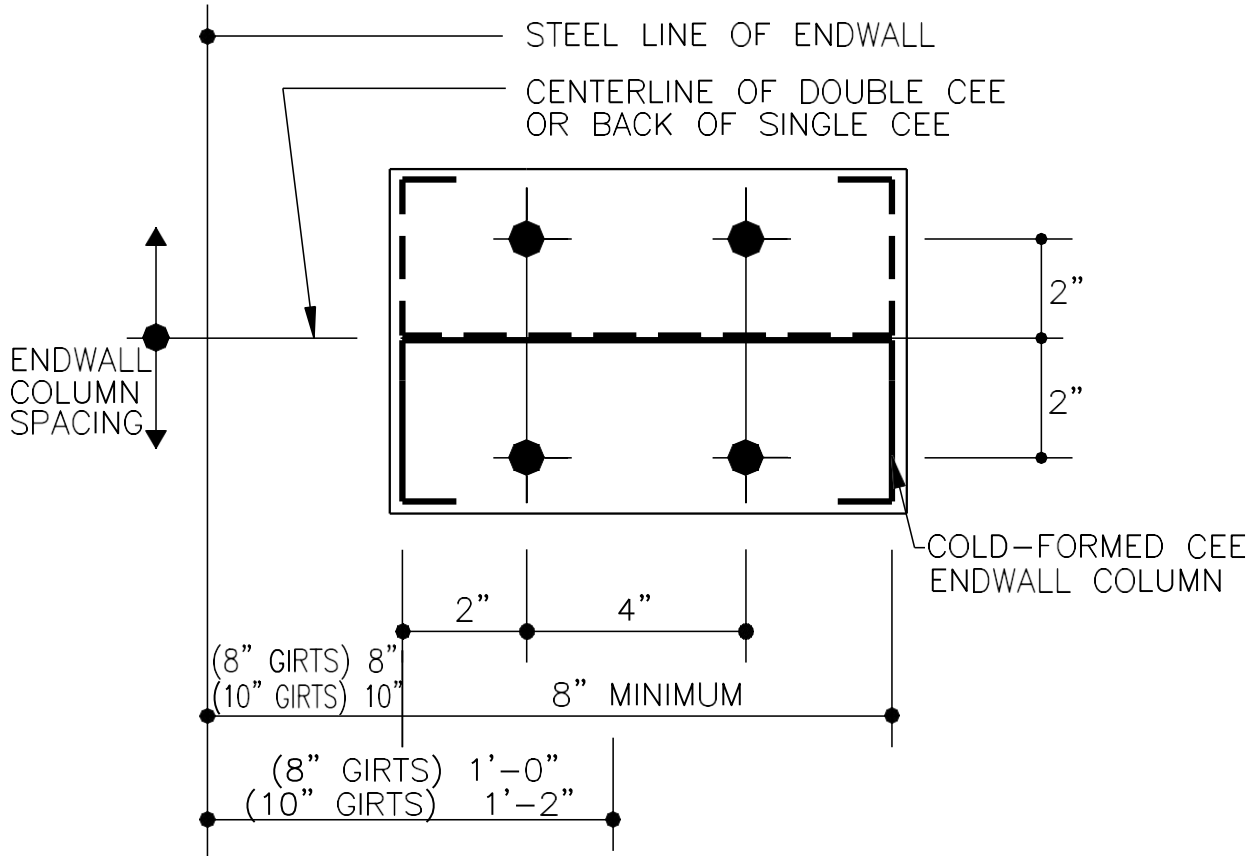


NOTE

1. NUCOR DESIGNS THE ANCHOR BOLT FOR SHEAR AND TENSION FORCES, BUT DOES NOT DETERMINE THE EMBEDMENT LENGTH. THIS IS THE RESPONSIBILITY OF THE FOUNDATION ENGINEER.

AB0070PE – ENDWALL COLUMN BYPASS DETAIL – (COLD FORM)

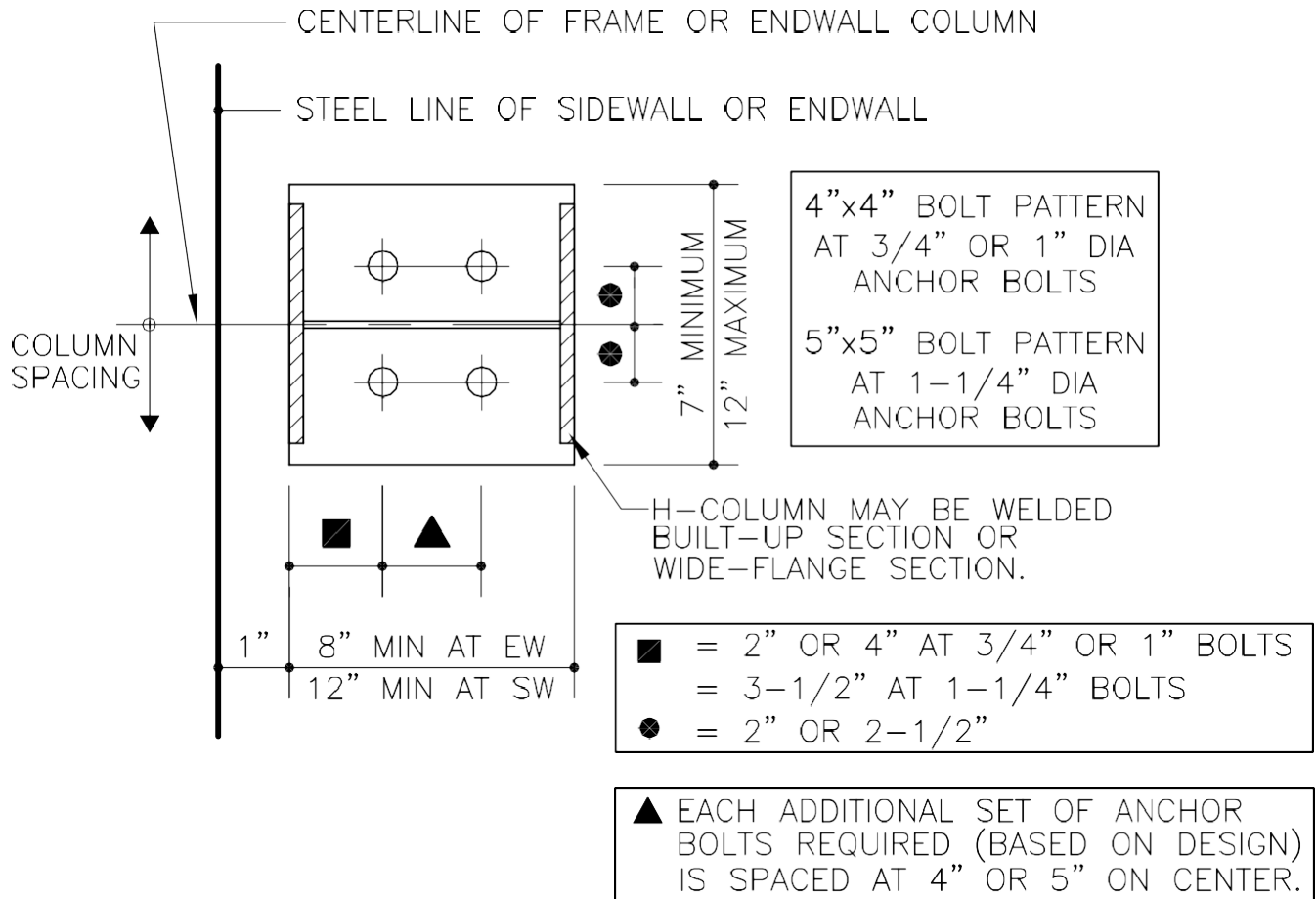
NOTE: FOR EASE OF FABRICATION, COLD-FORMED COLUMNS MAY HAVE (6) BASEPLATE HOLES. ANCHOR BOLTS ARE REQUIRED AS SHOWN ON THE DETAILS.



NOTE

1. NUCOR DESIGNS THE ANCHOR BOLT FOR SHEAR AND TENSION FORCES, BUT DOES NOT DETERMINE THE EMBEDMENT LENGTH. THIS IS THE RESPONSIBILITY OF THE FOUNDATION ENGINEER.

AB0080PE – ENDWALL COLUMN INSET DETAIL – (BUILT - UP)

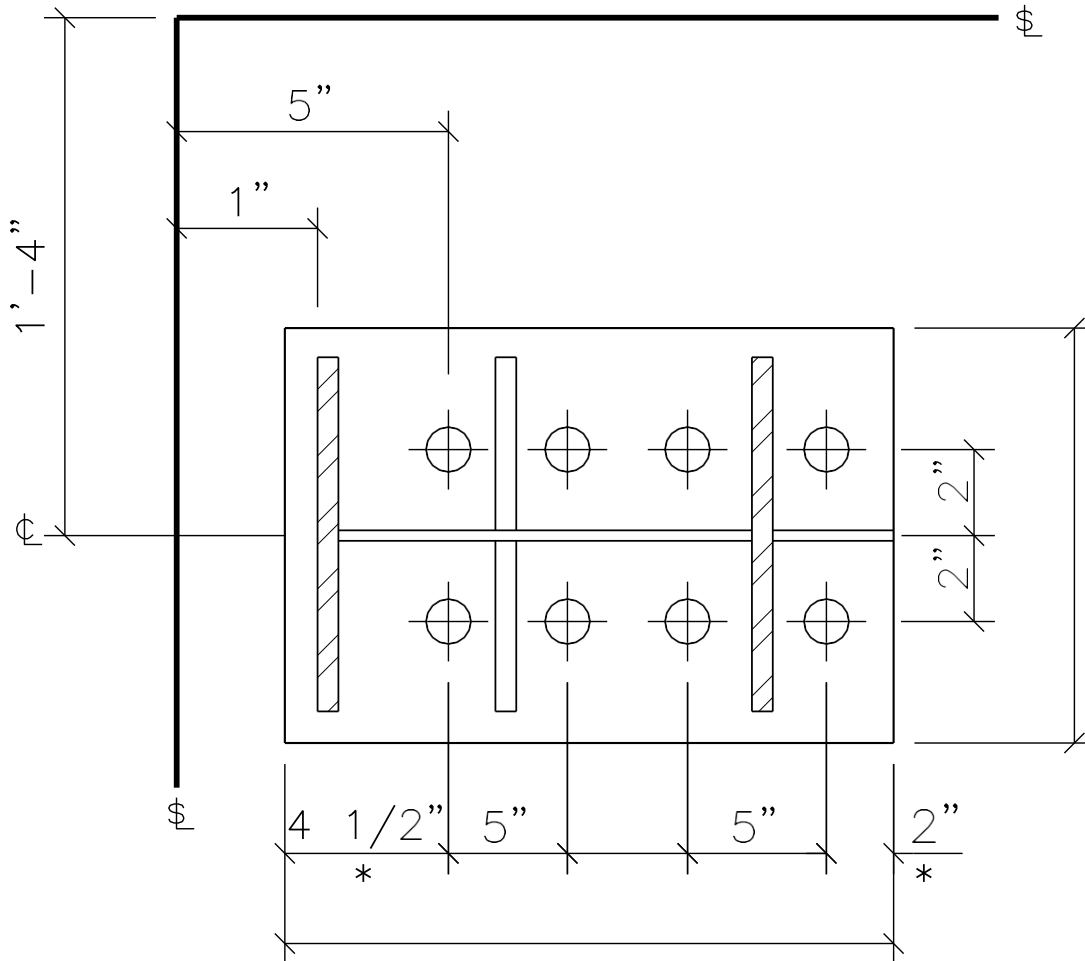


NOTE

- 1 NUCOR DESIGNS THE ANCHOR BOLT FOR SHEAR AND TENSION FORCES, BUT DOES NOT DETERMINE THE EMBEDMENT LENGTH. THIS IS THE RESPONSIBILITY OF THE FOUNDATION ENGINEER.

FIXED BASE POST & BEAM CORNER COLUMNS (INSET GIRT CONDITIONS)

BU8LT PE

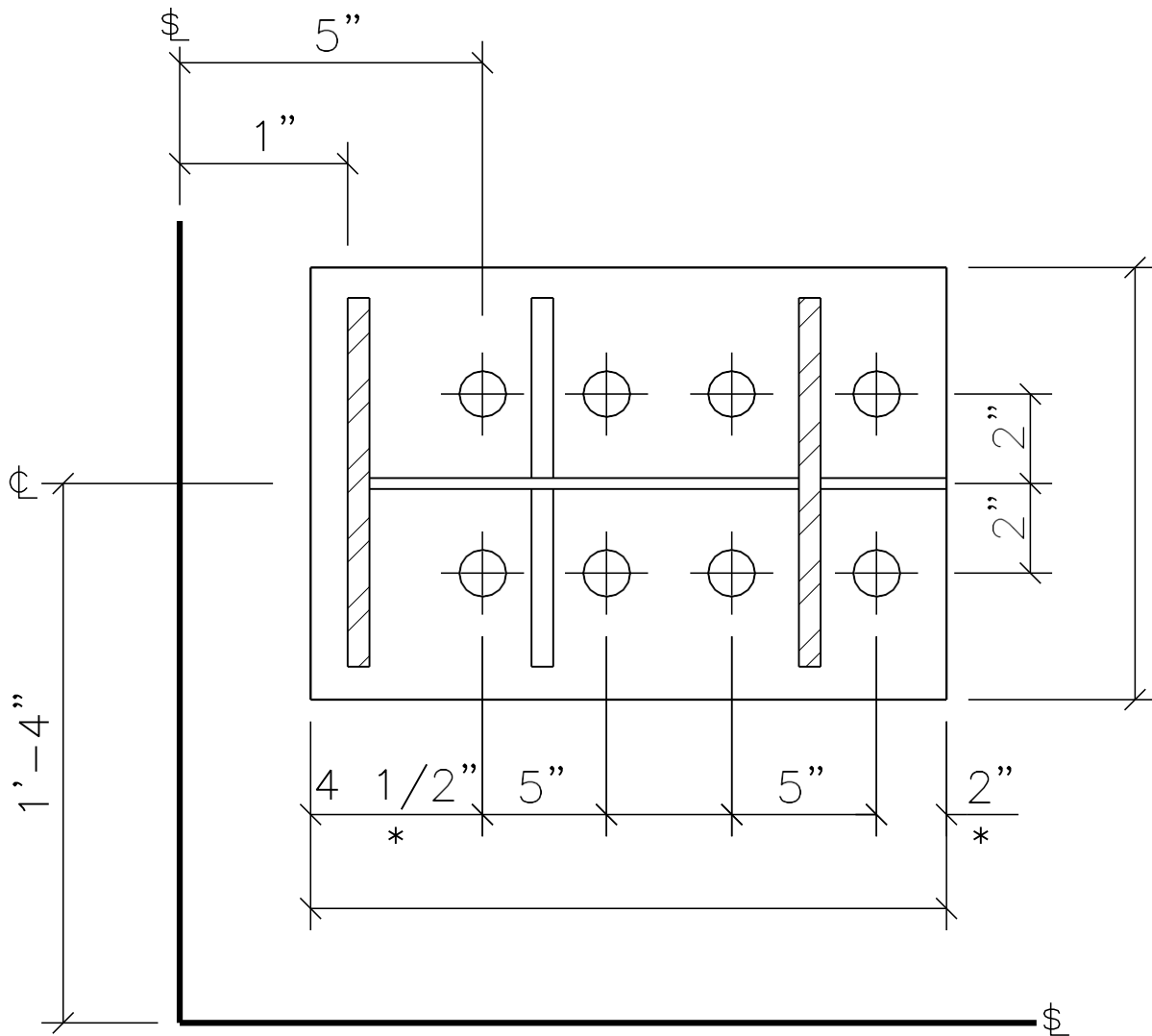


*MAY VARY PER DESIGN

(8) \emptyset ANCHOR
BOLTS WITH A 3" PROJECTION



BU8LB PE

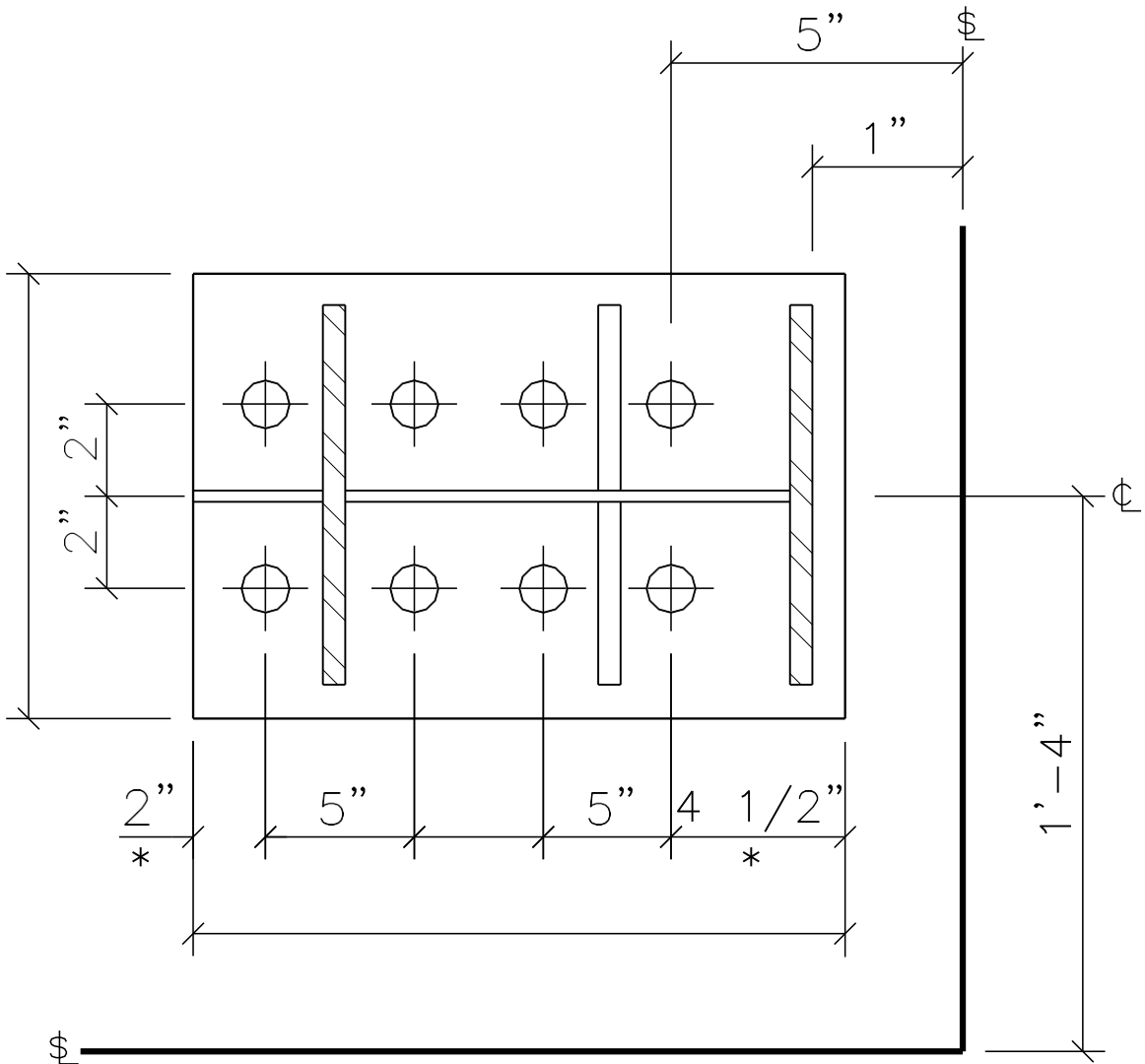


*MAY VARY PER DESIGN

(8) ∅ ANCHOR
BOLTS WITH A 3" PROJECTION



BU8RB PE

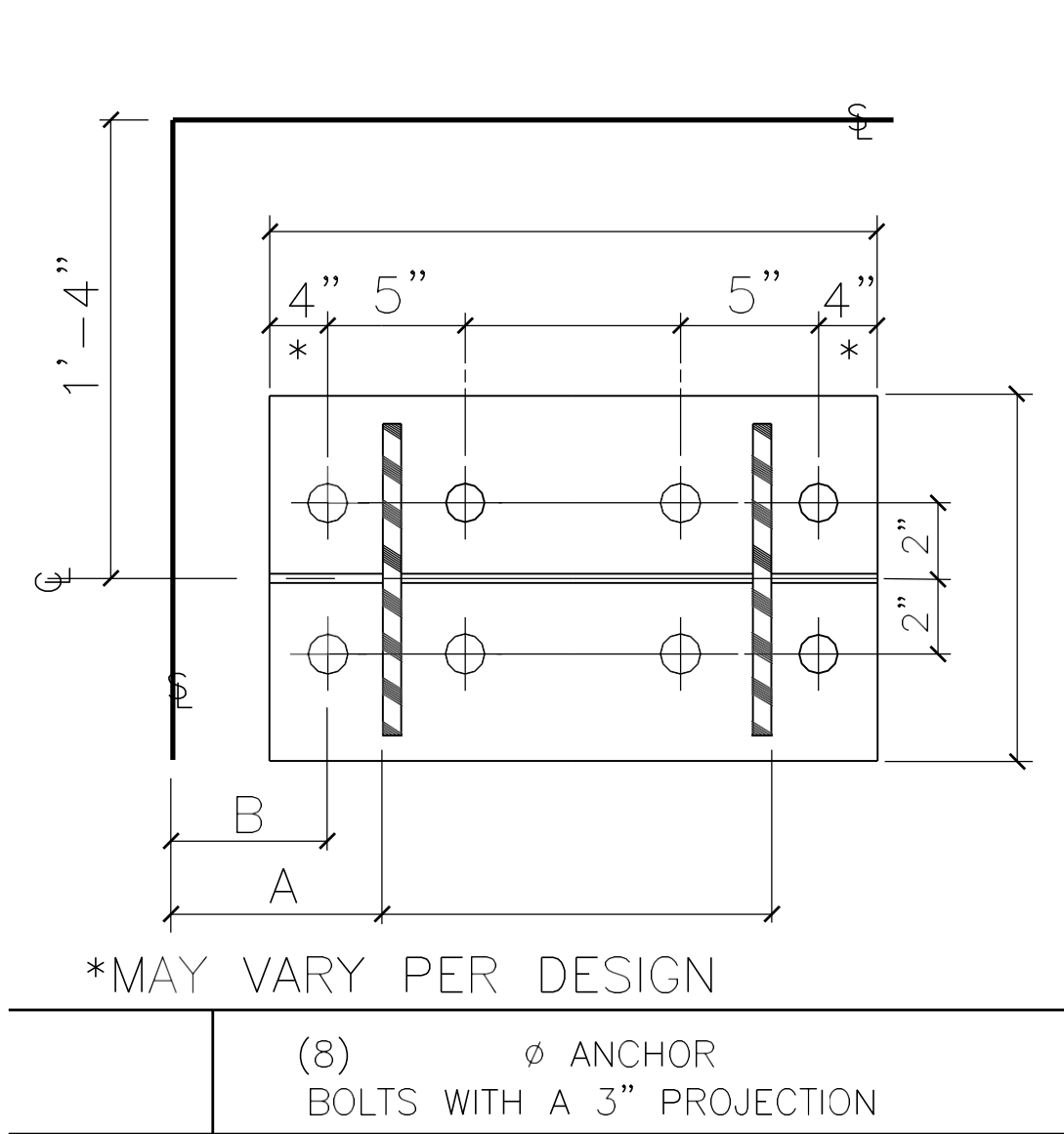


*MAY VARY PER DESIGN

(8) ∅ ANCHOR
BOLTS WITH A 3" PROJECTION

FIXED BASE POST & BEAM CORNER COLUMNS (BYPASS GIRT CONDITION)

BUB8LTPE

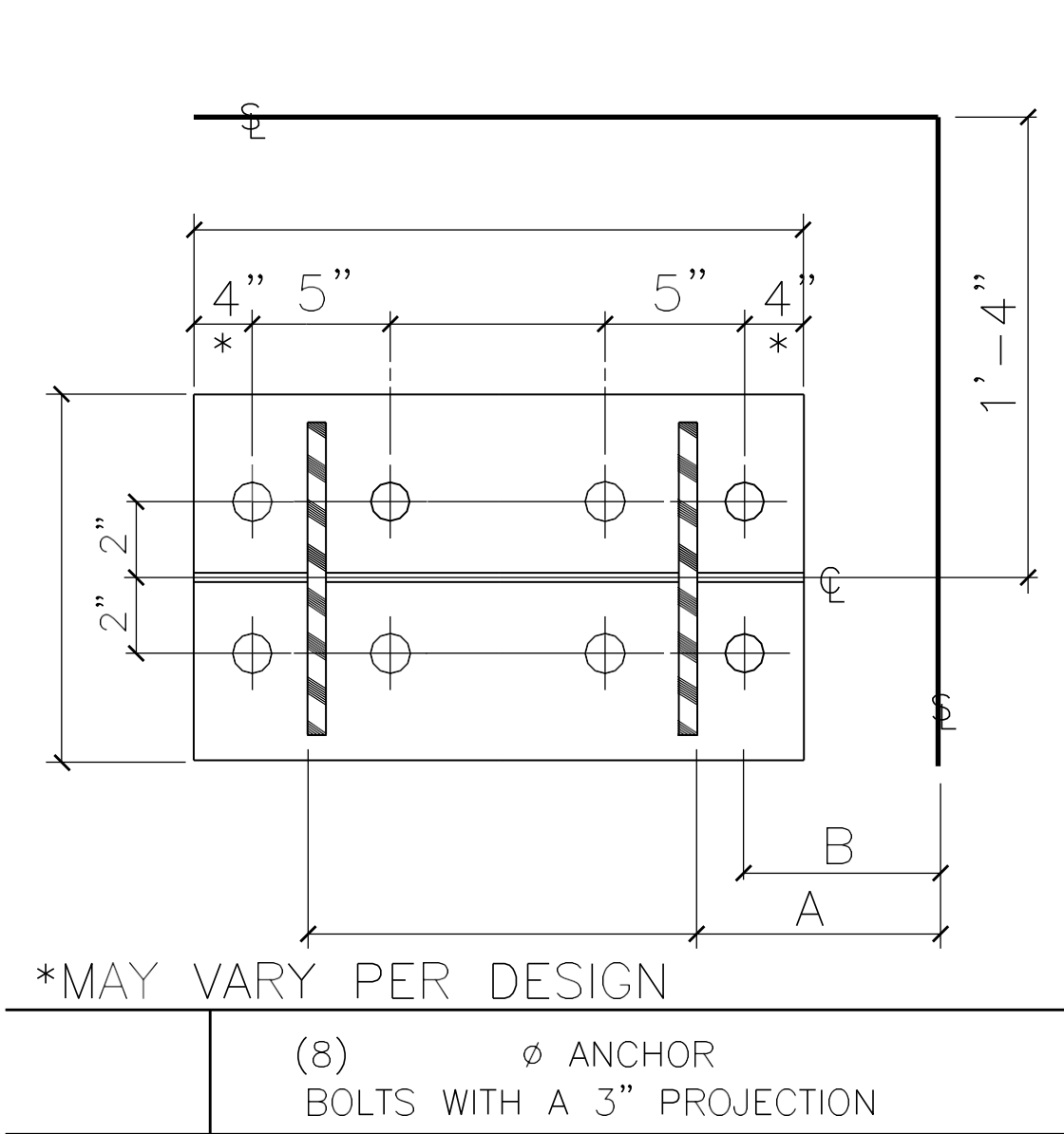


A = 8", 10", 12"

B = "A" MINUS 2"



BUB8RTPE

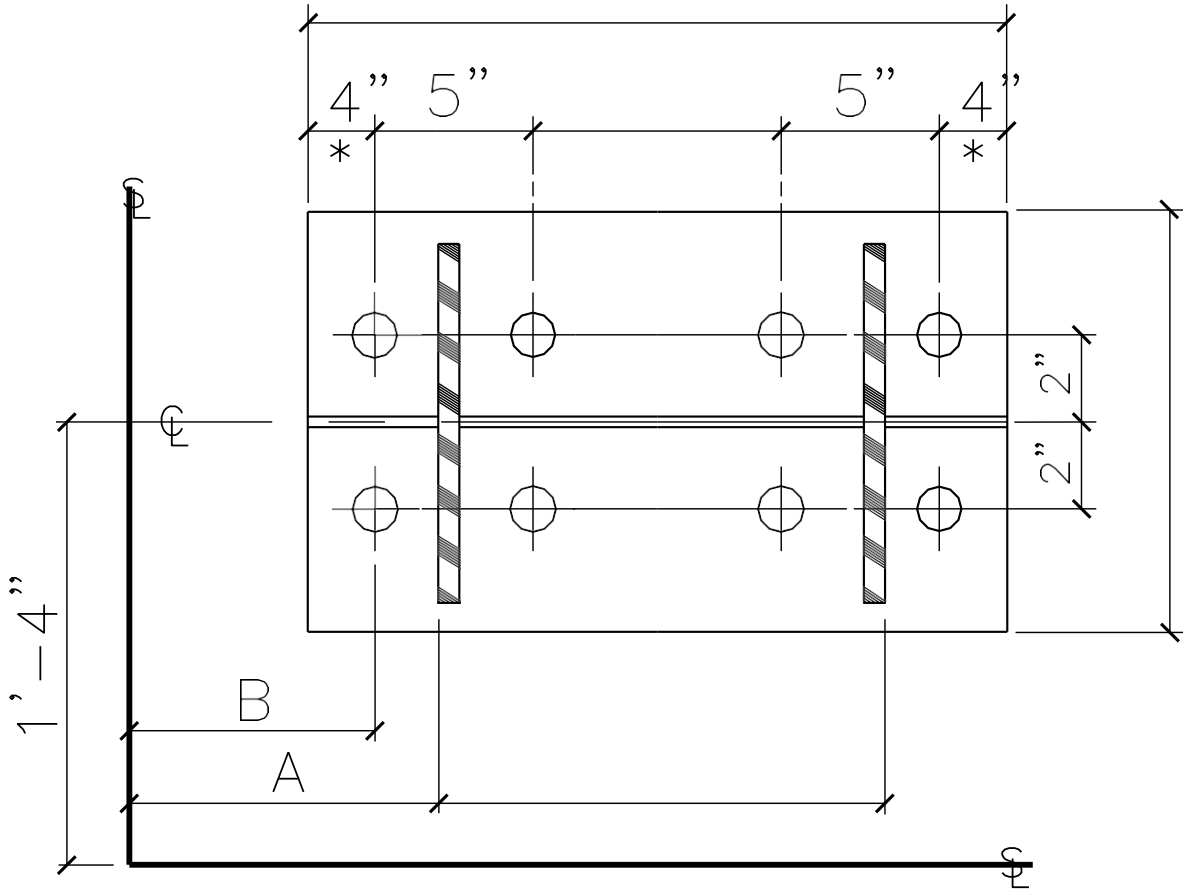


A = 8", 10", 12"

B = "A" MINUS 2"



BUB8LBPE



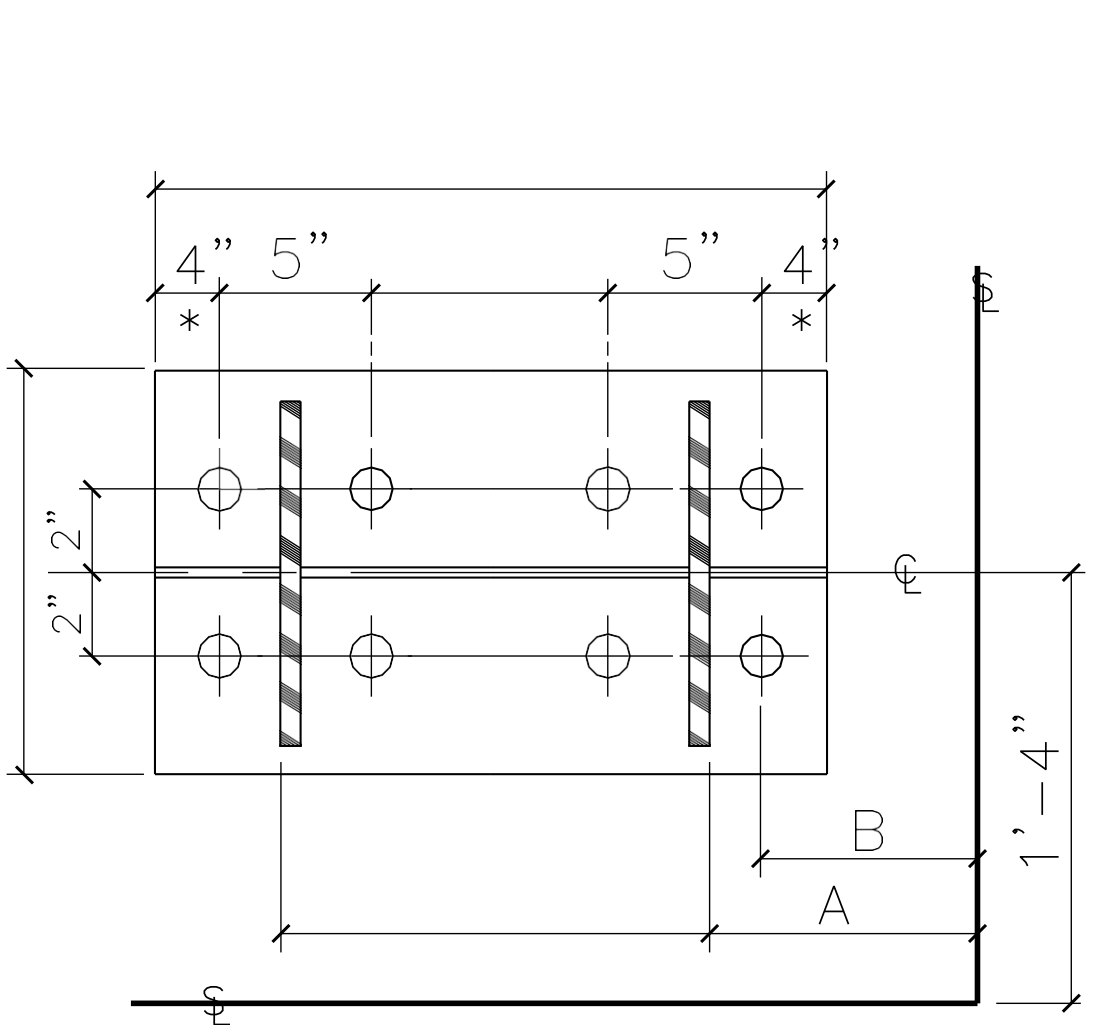
*MAY VARY PER DESIGN

(8) \emptyset ANCHOR
BOLTS WITH A 3" PROJECTION

A = 8", 10", 12"

B = "A" MINUS 2"

BUB8RBPE



*MAY VARY PER DESIGN

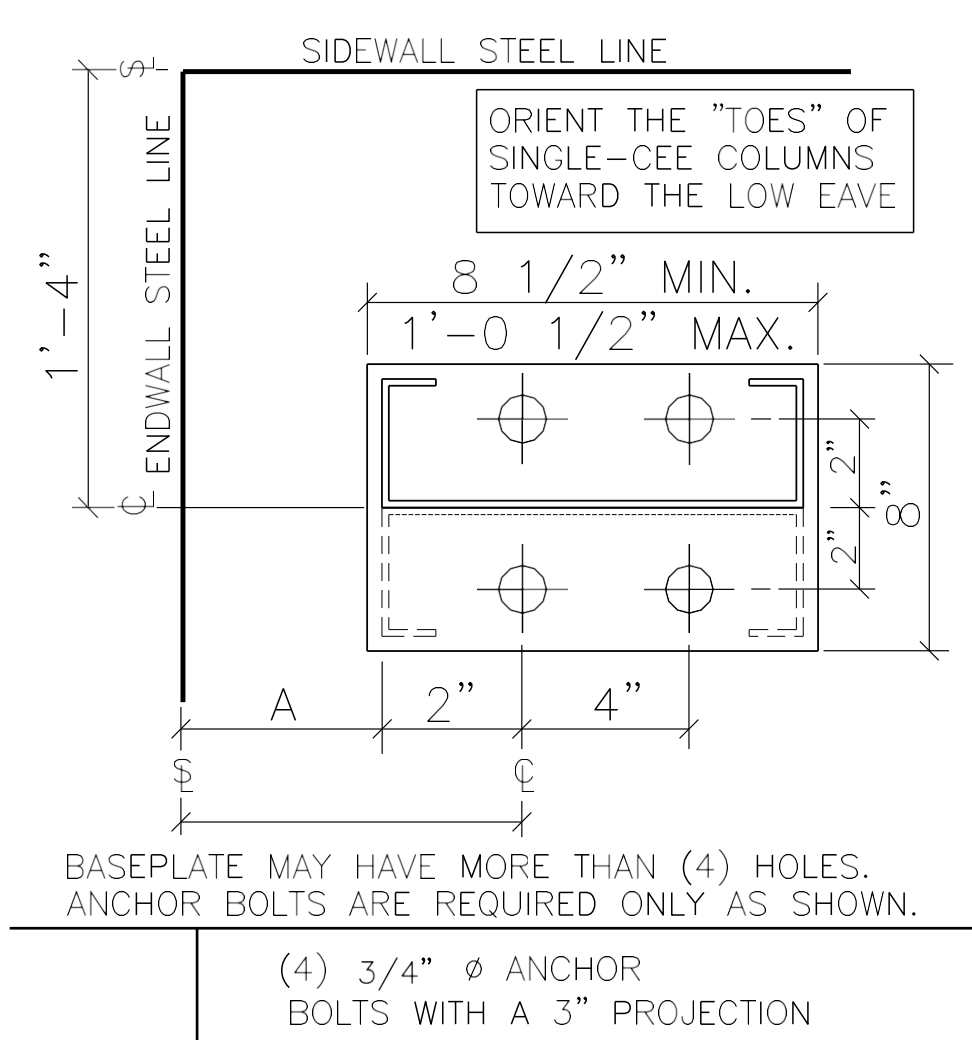
(8) \emptyset ANCHOR
 BOLTS WITH A 3" PROJECTION

A = 8", 10", 12"

B = "A" MINUS 2"

SINGLE OR DOUBLE CEE POST & BEAM CORNER COLUMNS

C4LT PE

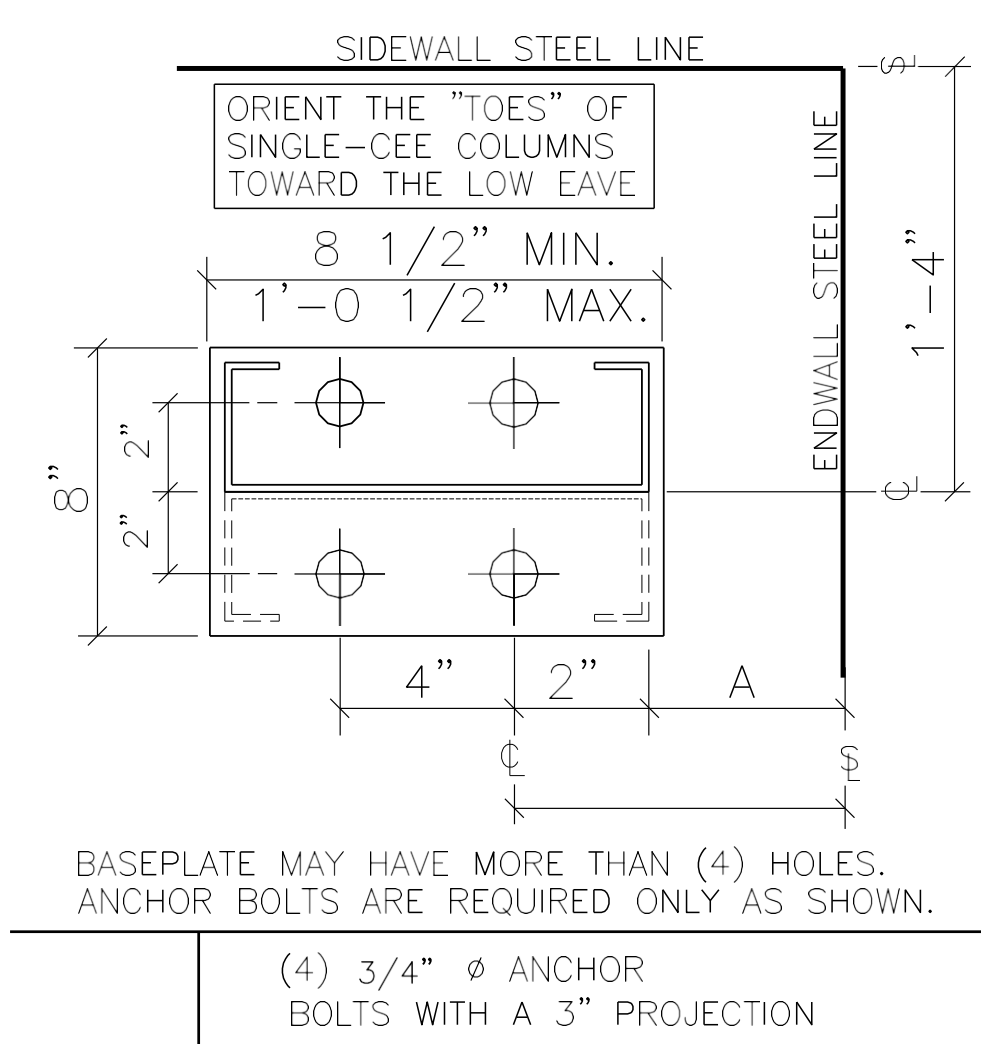


- Double Cee Columns are factory welded together. Base Plates and Cap Plates are also factory welded.

A = 0" – FLUSH
 1" – INSET
 8" – 8" BYPASS GIRTS
 10" – 10" BYPASS GIRTS
 12" – 12" BYPASS GIRTS



C4RT PE

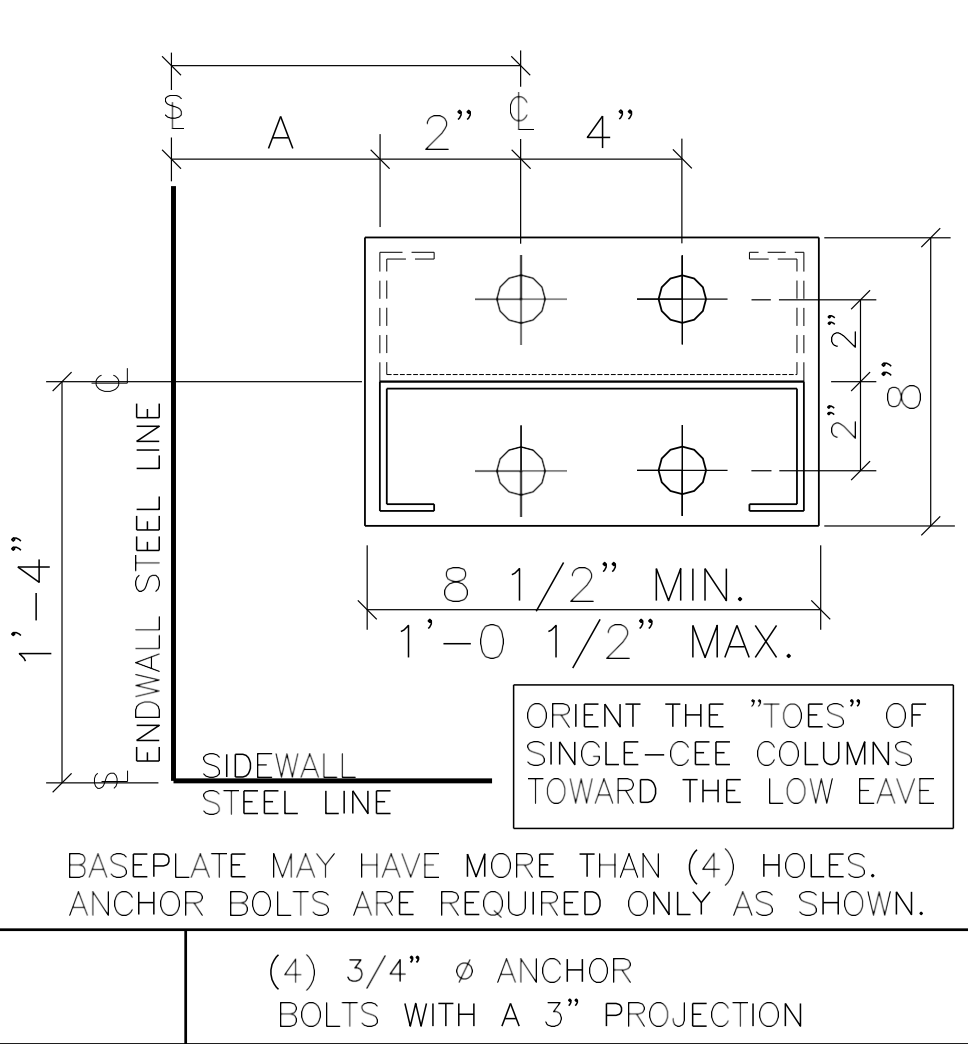


- Double Cee Columns are factory welded together. Base Plates and Cap Plates are also factory welded.

A =
 0" - FLUSH
 1" - INSET
 8" - 8" BYPASS GIRTS
 10" - 10" BYPASS GIRTS
 12" - 12" BYPASS GIRTS



C4LB PE

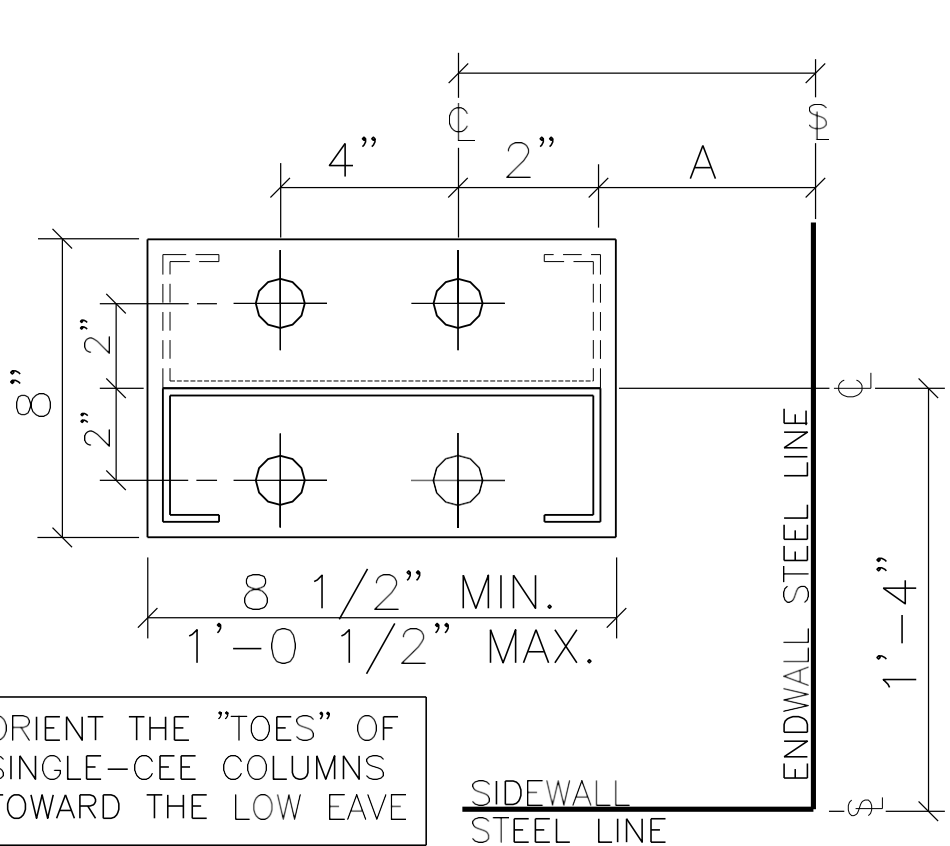


- Double Cee Columns are factory welded together. Base Plates and Cap Plates are also factory welded.

A = 0" – FLUSH
1" – INSET
8" – 8" BYPASS GIRTS
10" – 10" BYPASS GIRTS
12" – 12" BYPASS GIRTS



C4RB PE



ORIENT THE "TOES" OF SINGLE-CEE COLUMNS TOWARD THE LOW EAVE

BASEPLATE MAY HAVE MORE THAN (4) HOLES.
ANCHOR BOLTS ARE REQUIRED ONLY AS SHOWN.

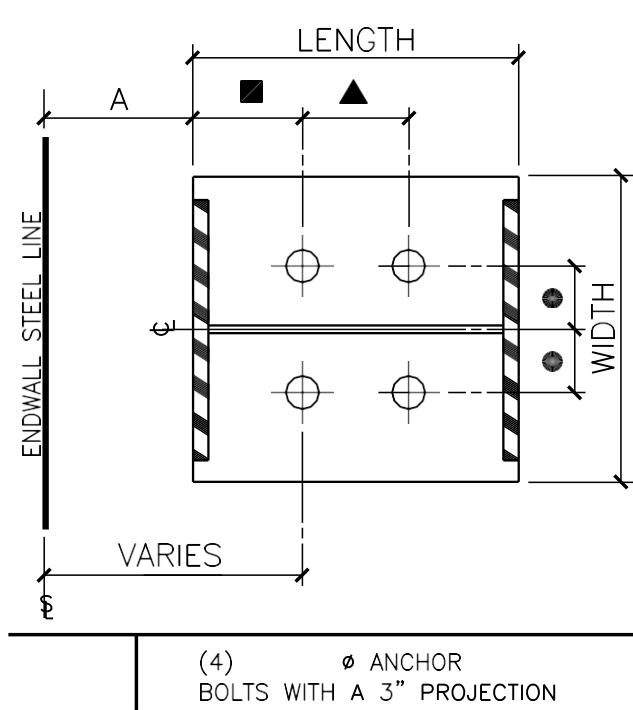
(4) 3/4" ϕ ANCHOR
BOLTS WITH A 3" PROJECTION

- Double Cee Columns are factory welded together. Base Plates and Cap Plates are also factory welded.

A = 0" – FLUSH
1" – INSET
8" – 8" BYPASS GIRTS
10" – 10" BYPASS GIRTS
12" – 12" BYPASS GIRTS

BUILT - UP ENDWALL COLUMNS

BU4LX PE



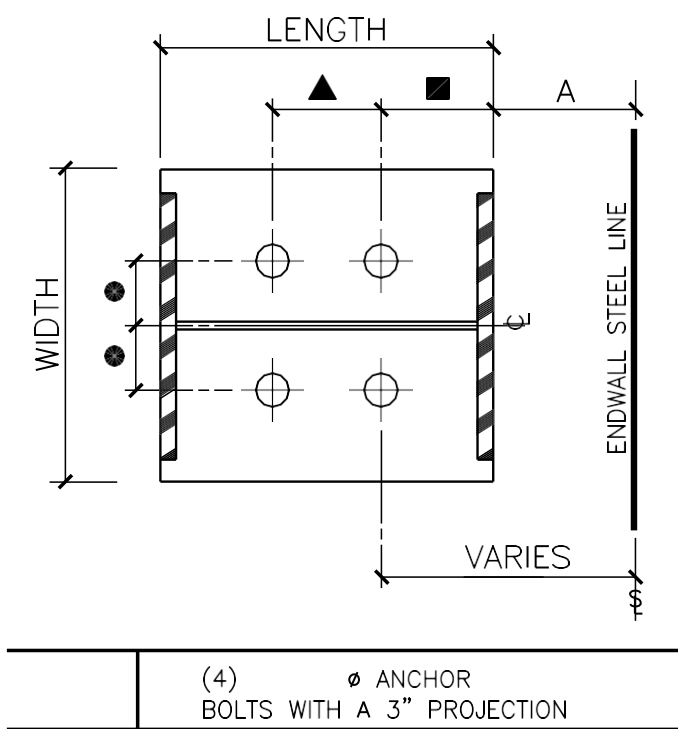
4"x4" BOLT PATTERN
AT 3/4" OR 1" DIA
ANCHOR BOLTS
5"x5" BOLT PATTERN
AT 1-1/4" DIA
ANCHOR BOLTS

■ = 2" OR 4" AT 3/4" OR 1" BOLTS
= 3-1/2" AT 1-1/4" BOLTS
● = 2" OR 2-1/2"

▲ EACH ADDITIONAL SET OF ANCHOR BOLTS REQUIRED (BASED ON DESIGN) IS SPACED AT 4" OR 5" ON CENTER.

A = 0" – FLUSH
1" – INSET
8" – 8" BYPASS GIRTS
10" – 10" BYPASS GIRTS
12" – 12" BYPASS GIRTS

BU4RX PE



4"x4" BOLT PATTERN
AT 3/4" OR 1" DIA
ANCHOR BOLTS

5"x5" BOLT PATTERN
AT 1-1/4" DIA
ANCHOR BOLTS

■ = 2" OR 4" AT 3/4" OR 1" BOLTS
= 3-1/2" AT 1-1/4" BOLTS

● = 2" OR 2-1/2"

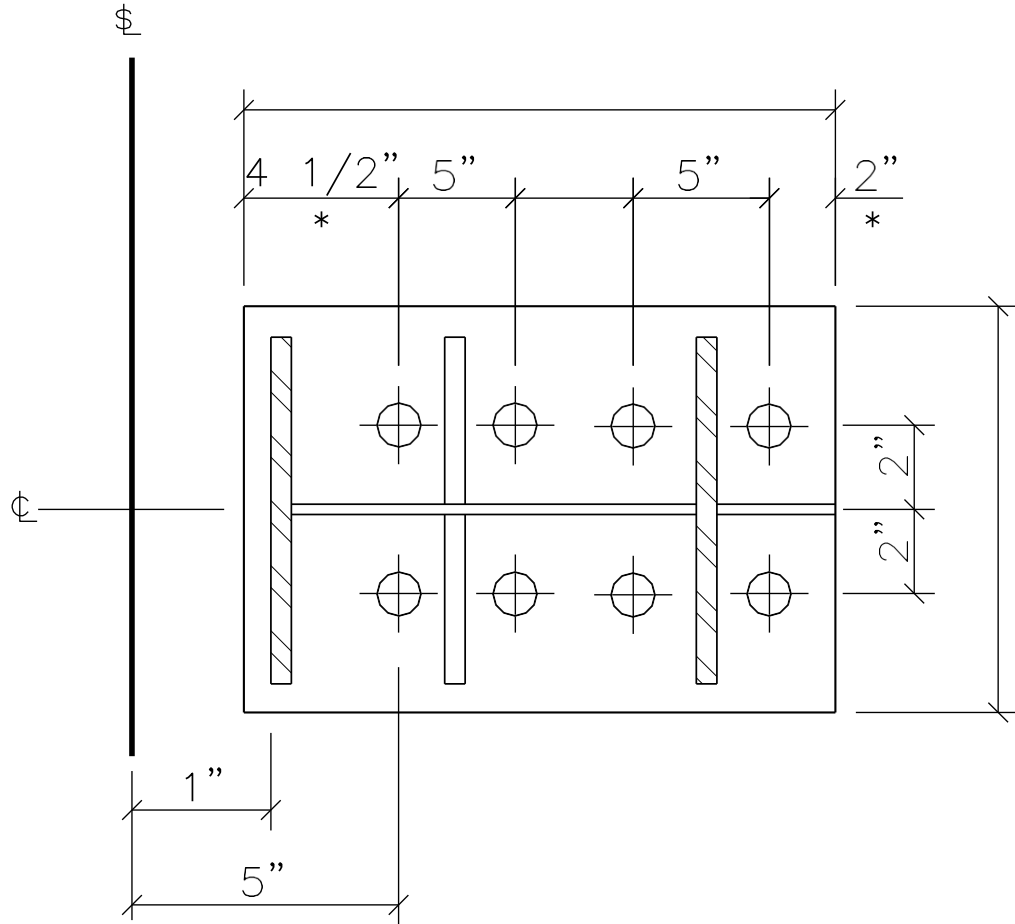
▲ EACH ADDITIONAL SET OF ANCHOR BOLTS REQUIRED (BASED ON DESIGN) IS SPACED AT 4" OR 5" ON CENTER.

- A =
- 0" – FLUSH
 - 1" – INSET
 - 8" – 8" BYPASS GIRTS
 - 10" – 10" BYPASS GIRTS
 - 12" – 12" BYPASS GIRTS



FIXED BASE INTERMEDIATE ENDWALL COLUMNS

BU8LX PE



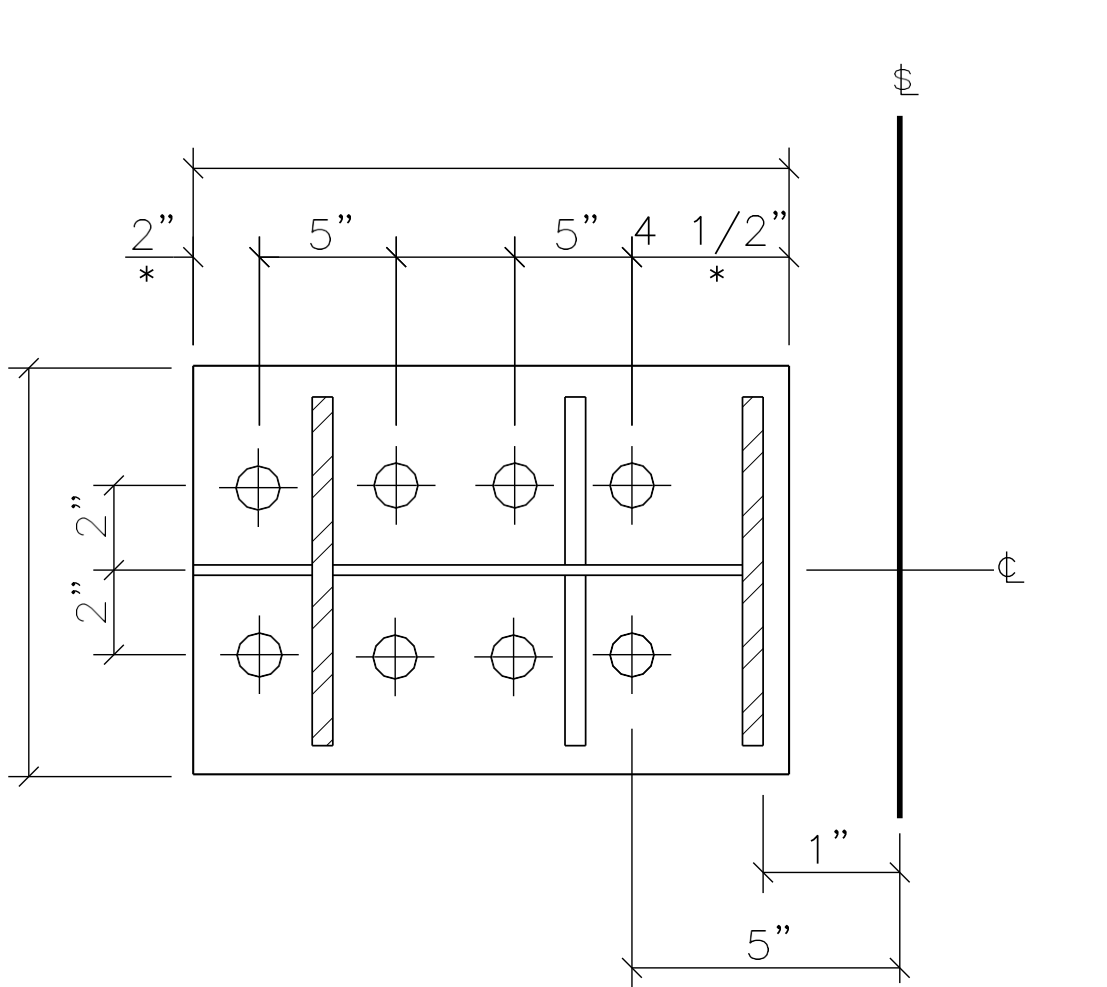
*MAY VARY PER DESIGN

(8) \emptyset ANCHOR
BOLTS WITH A 3" PROJECTION

**Inset Detail Shown



BU8RX PE



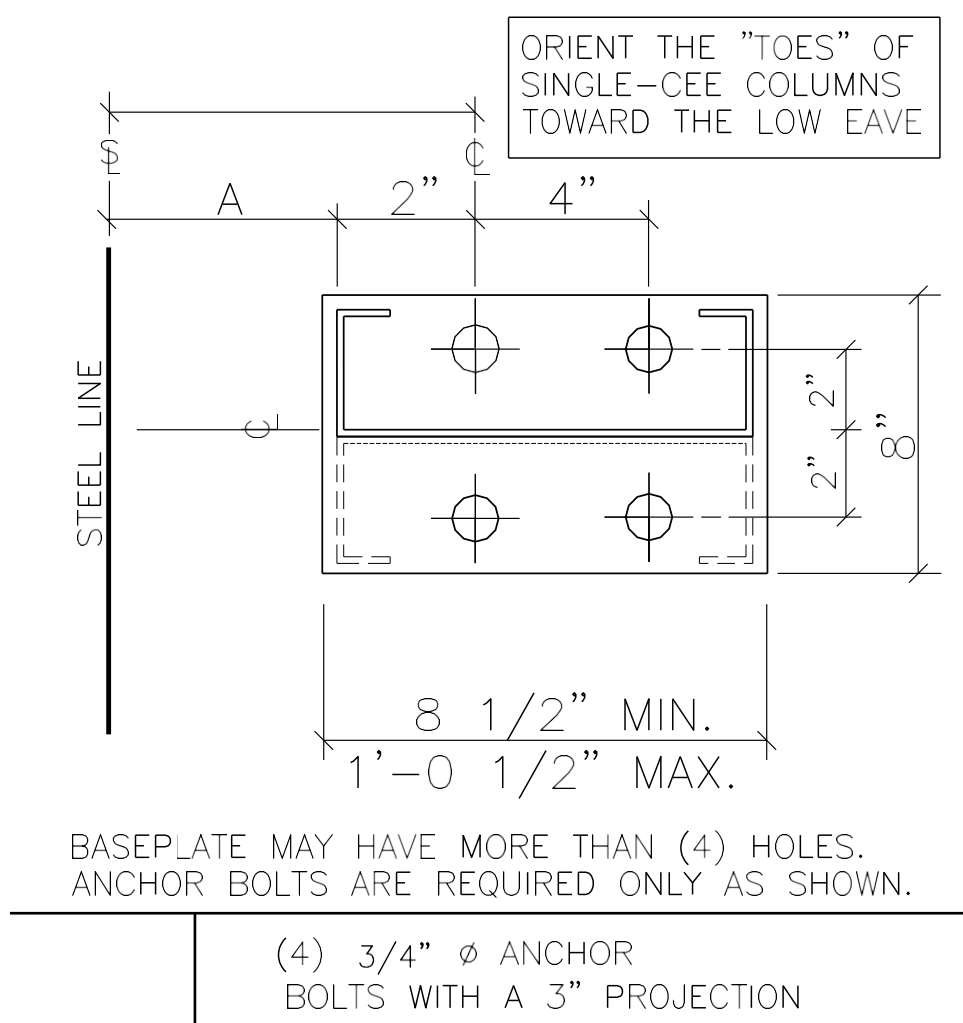
*MAY VARY PER DESIGN

	(8) ∅ ANCHOR BOLTS WITH A 3" PROJECTION
--	---

**Inset Detail Shown

SINGLE OR DOUBLE CEE ENDWALL COLUMNS

C4LI PE

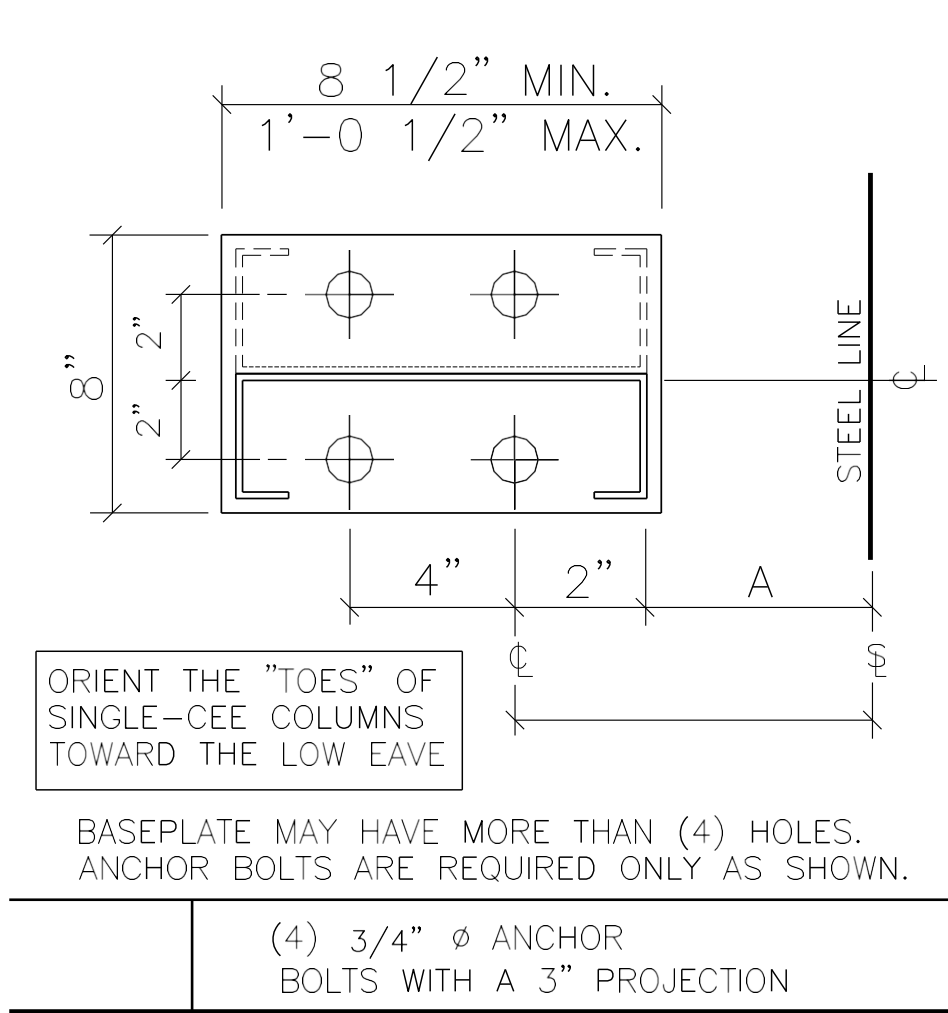


- Double Cee Columns are factory welded together. Cee Column Base Plates and Cap Plates are also factory welded.

A = 0" – FLUSH
 1" – INSET
 8" – 8" BYPASS GIRTS
 10" – 10" BYPASS GIRTS
 12" – 12" BYPASS GIRTS



C4RI PE



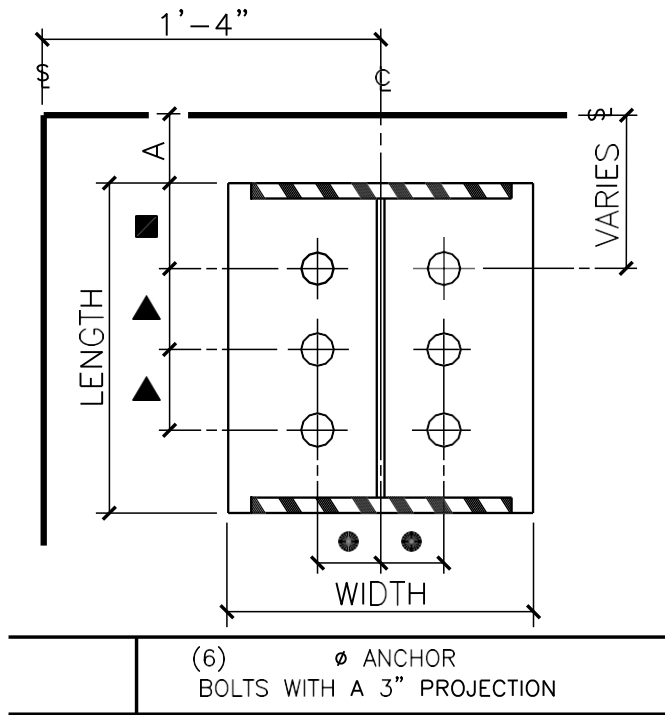
- Double Cee Columns are factory welded together. Cee Column Base Plates and Cap Plates are also factory welded.

A =
 0" – FLUSH
 1" – INSET
 8" – 8" BYPASS GIRTS
 10" – 10" BYPASS GIRTS
 12" – 12" BYPASS GIRTS

BUILT - UP RIGID FRAME CORNER COLUMNS

BU6TL PE

NOTE: The third digit of each detail name indicates the number of anchor bolts required. For example: BU6TL requires (6) anchor bolts. BU4TL requires (4) anchor bolts.



4"x4" BOLT PATTERN
AT 3/4" OR 1" DIA
ANCHOR BOLTS
5"x5" BOLT PATTERN
AT 1-1/4" DIA
ANCHOR BOLTS

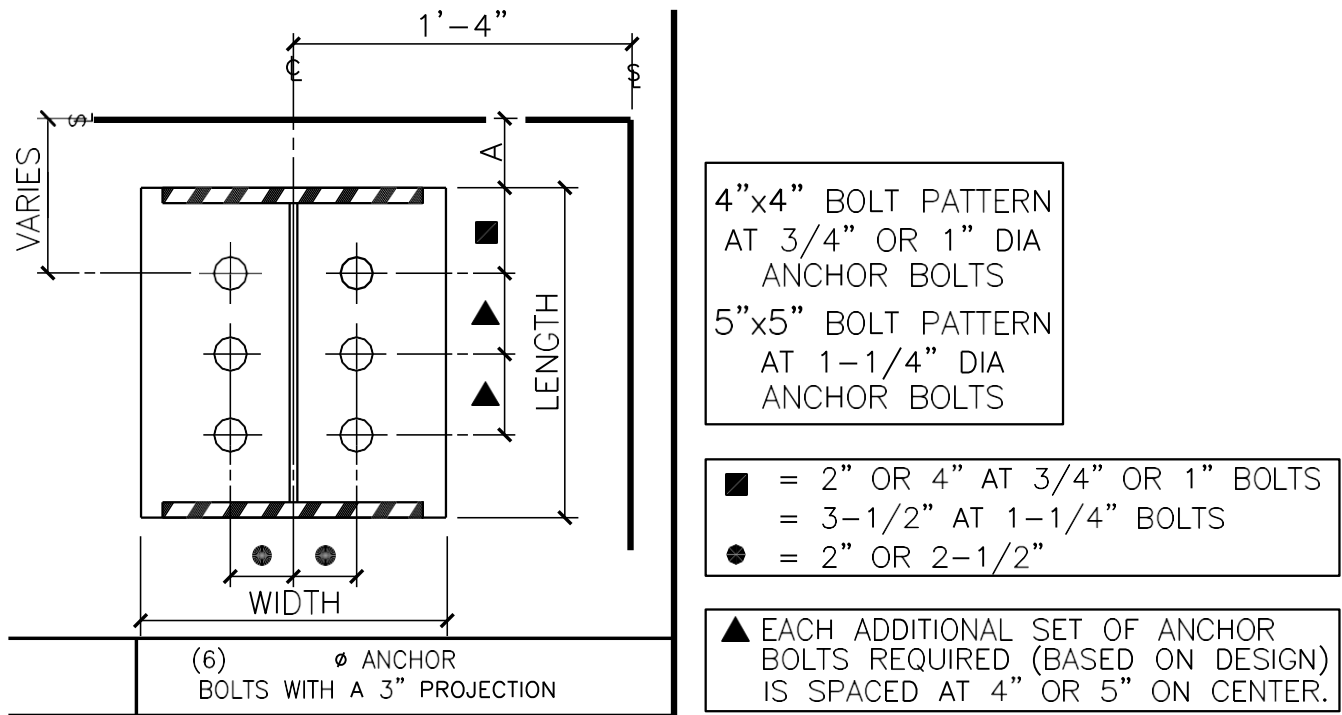
■ = 2" OR 4" AT 3/4" OR 1" BOLTS
= 3-1/2" AT 1-1/4" BOLTS
● = 2" OR 2-1/2"

▲ EACH ADDITIONAL SET OF ANCHOR BOLTS REQUIRED (BASED ON DESIGN) IS SPACED AT 4" OR 5" ON CENTER.

- A = 0" – FLUSH
1" – INSET
8" – 8" BYPASS GIRTS
10" – 10" BYPASS GIRTS
12" – 12" BYPASS GIRTS

BU6TR PE

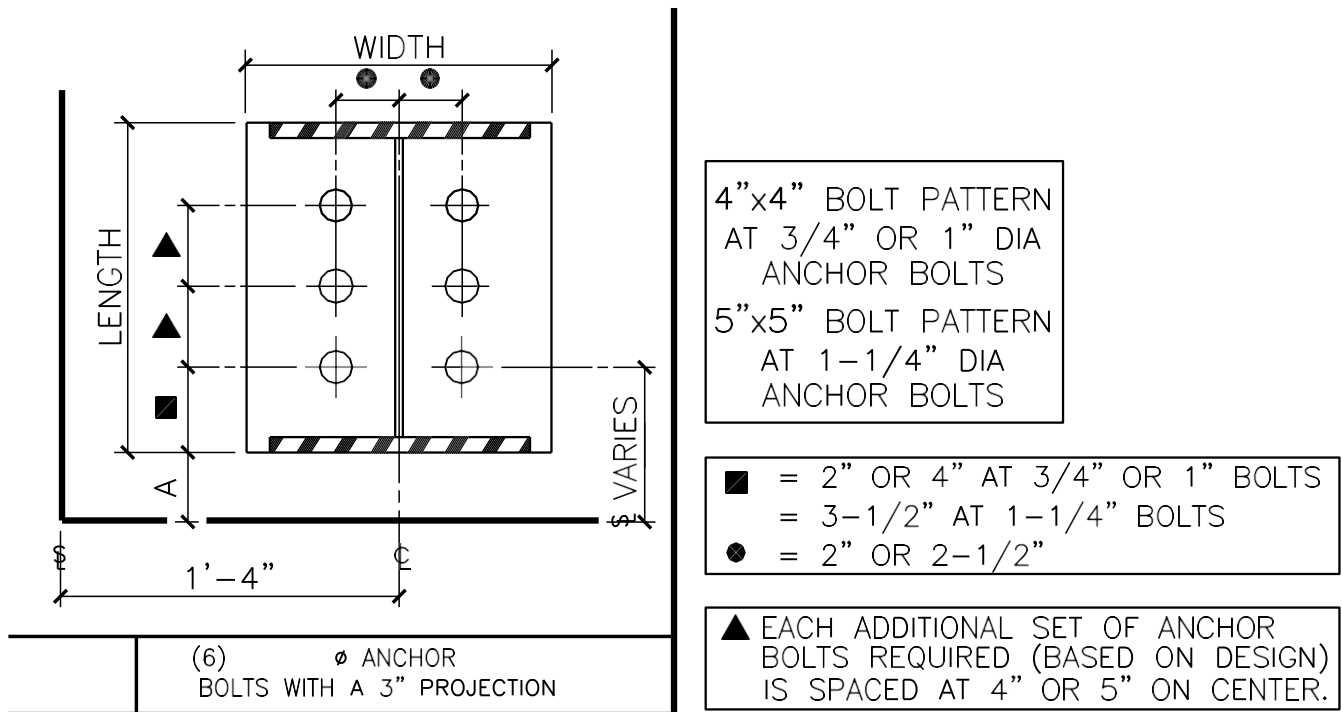
NOTE: The third digit of each detail name indicates the number of anchor bolts required. For example: BU6TR requires (6) anchor bolts. BU4TR requires (4) anchor bolts.



- A =
- 0" – FLUSH
 - 1" – INSET
 - 8" – 8" BYPASS GIRTS
 - 10" – 10" BYPASS GIRTS
 - 12" – 12" BYPASS GIRTS

BU6BL PE

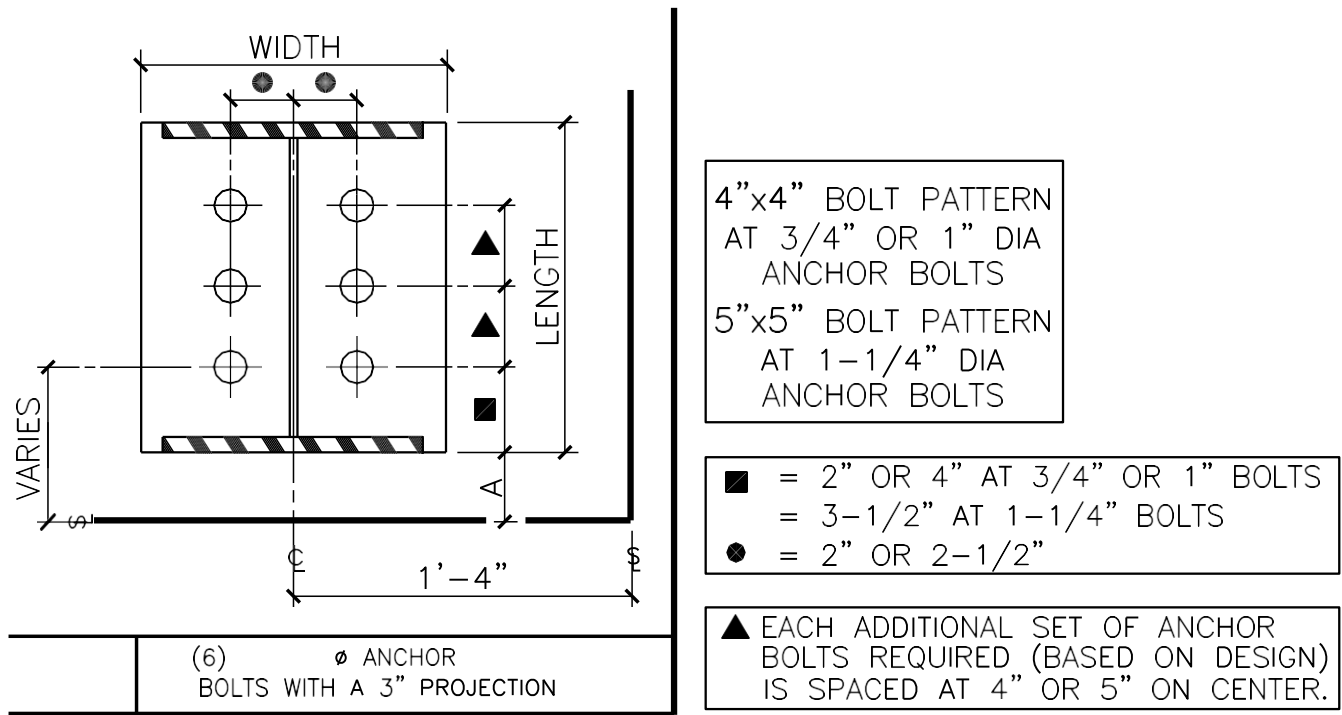
NOTE: The third digit of each detail name indicates the number of anchor bolts required. For example: BU6BL requires (6) anchor bolts. BU4BL requires (4) anchor bolts.



- A =
- 0" – FLUSH
 - 1" – INSET
 - 8" – 8" BYPASS GIRTS
 - 10" – 10" BYPASS GIRTS
 - 12" – 12" BYPASS GIRTS

BU6BR PE

NOTE: The third digit of each detail name indicates the number of anchor bolts required. For example: BU6BR requires (6) anchor bolts. BU4BR requires (4) anchor bolts.

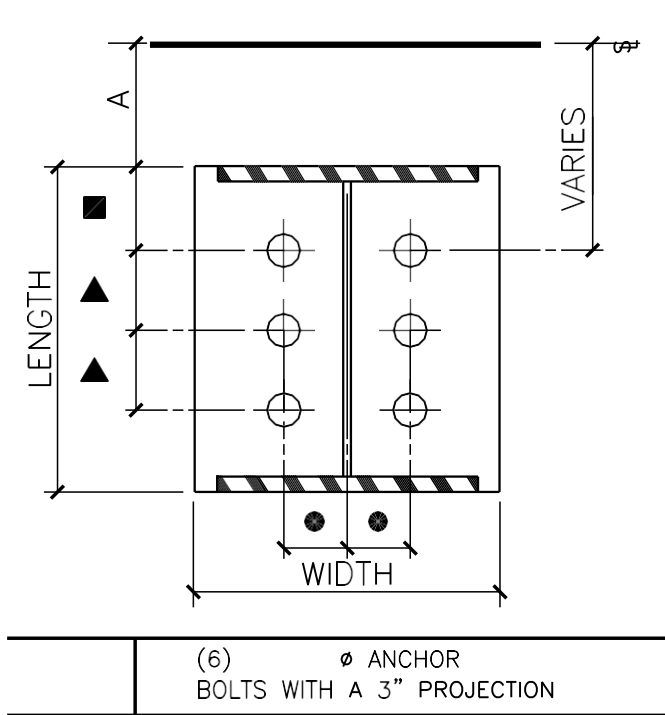


A = 0" – FLUSH
1" – INSET
8" – 8" BYPASS GIRTS
10" – 10" BYPASS GIRTS
12" – 12" BYPASS GIRTS

BUILT - UP RIGID FRAME SIDEWALL DETAILS

BU6TX PE

NOTE: The third digit of each detail name indicates the number of anchor bolts required. For example: BU6TX requires (6) anchor bolts. BU4TX requires (4) anchor bolts.



4"x4" BOLT PATTERN
AT 3/4" OR 1" DIA
ANCHOR BOLTS
5"x5" BOLT PATTERN
AT 1-1/4" DIA
ANCHOR BOLTS

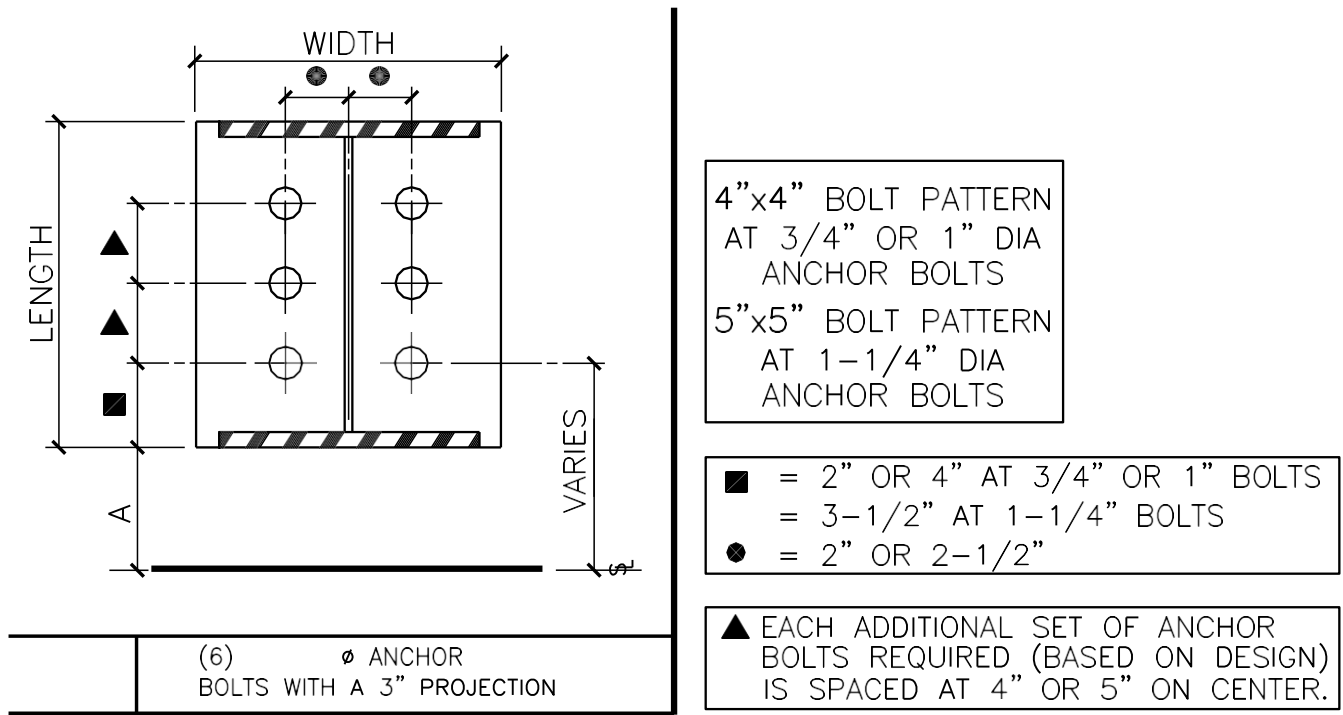
■ = 2" OR 4" AT 3/4" OR 1" BOLTS
= 3-1/2" AT 1-1/4" BOLTS
● = 2" OR 2-1/2"

▲ EACH ADDITIONAL SET OF ANCHOR BOLTS REQUIRED (BASED ON DESIGN) IS SPACED AT 4" OR 5" ON CENTER.

- A =
0" – FLUSH
1" – INSET
8" – 8" BYPASS GIRTS
10" – 10" BYPASS GIRTS
12" – 12" BYPASS GIRTS

BU6BX PE

NOTE: The third digit of each detail name indicates the number of anchor bolts required. For example: BU6BX requires (6) anchor bolts. BU4BX requires (4) anchor bolts.

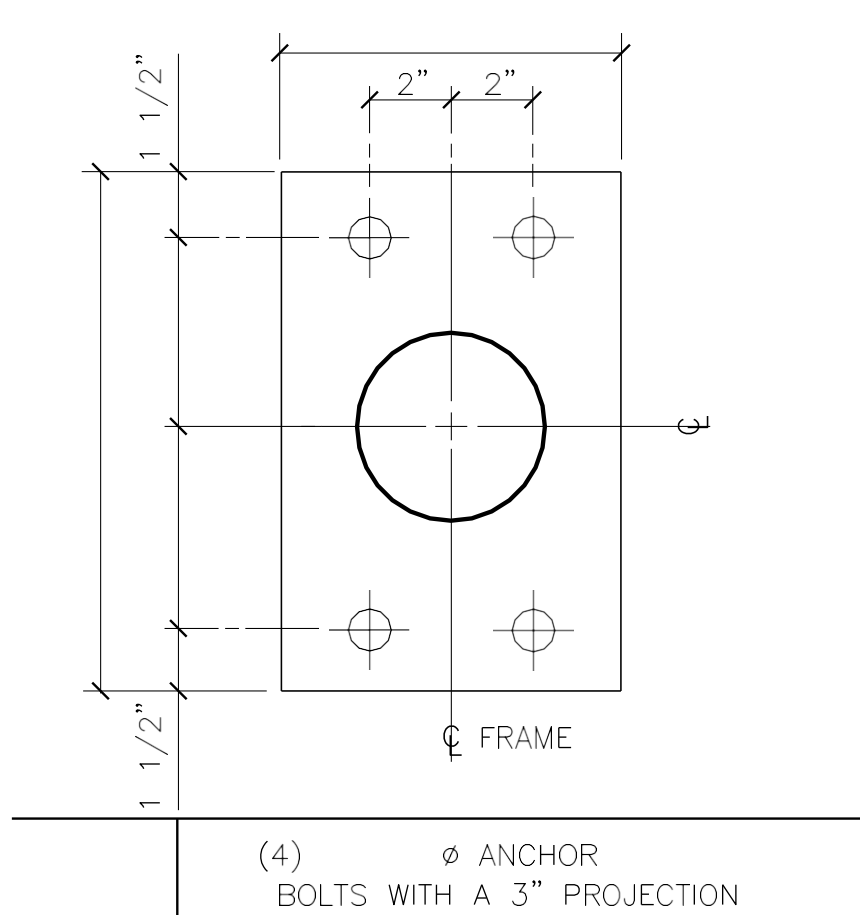


- A =
- 0" – FLUSH
 - 1" – INSET
 - 8" – 8" BYPASS GIRTS
 - 10" – 10" BYPASS GIRTS
 - 12" – 12" BYPASS GIRTS

PIPE & TUBE INTERIOR COLUMNS

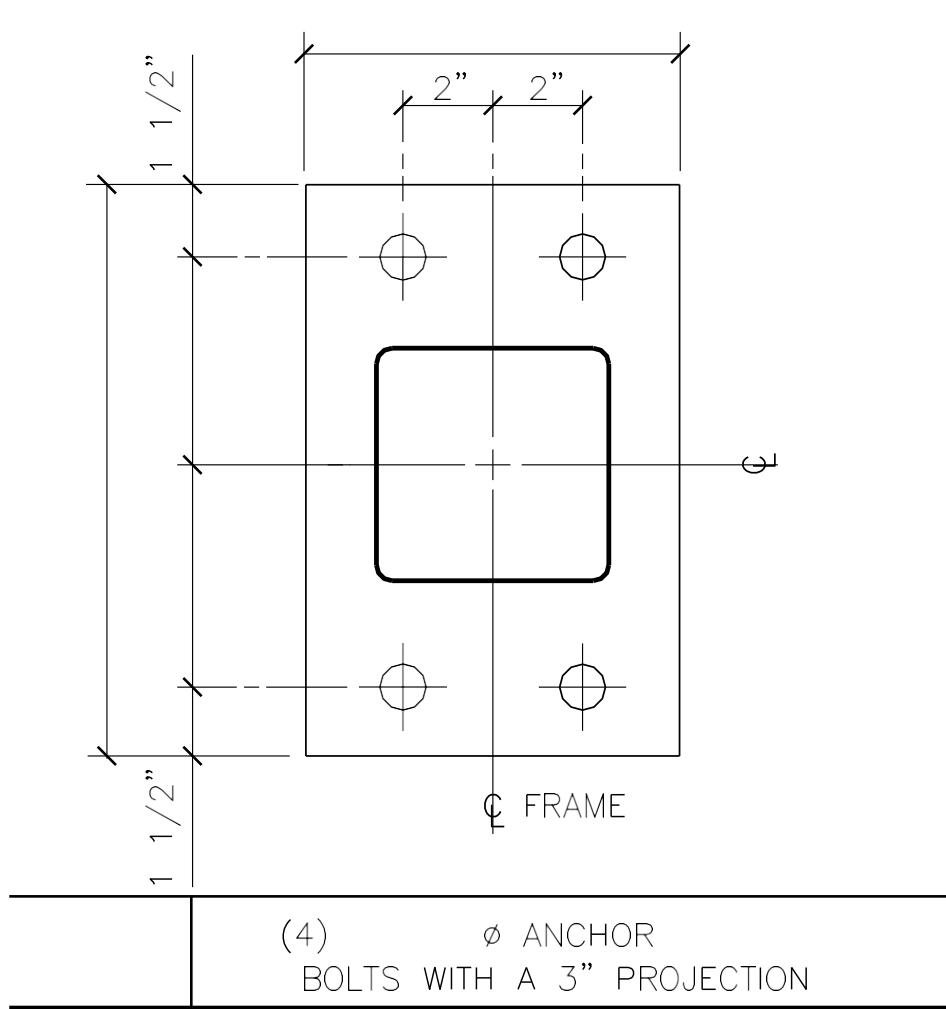
RC4IN PE

NOTE: Pipe columns are the standard. If different shape is required, please specify in **Box 28** of the order documents.



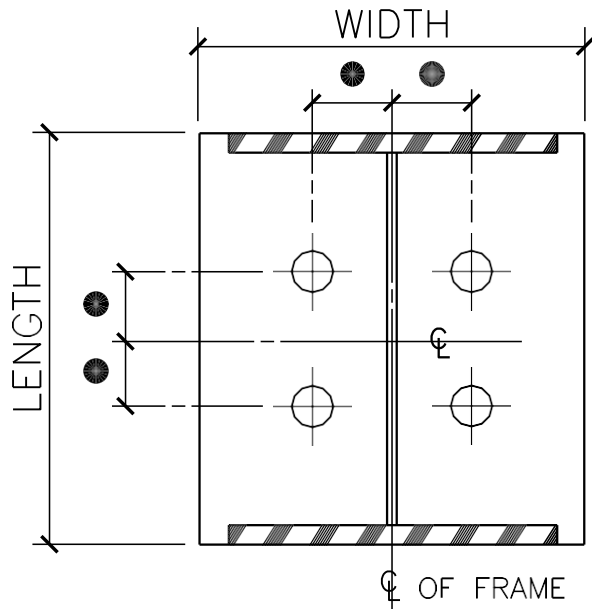


SC4IN PE



BUILT - UP INTERIOR COLUMNS

BU4IN PE



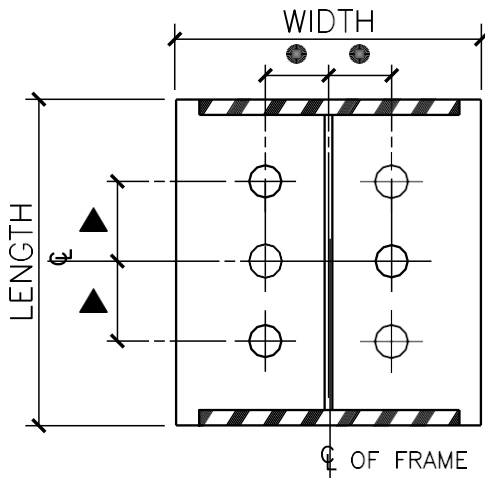
4"x4" BOLT PATTERN
AT 3/4" OR 1" DIA
ANCHOR BOLTS

5"x5" BOLT PATTERN
AT 1-1/4" DIA
ANCHOR BOLTS

● = 2" OR 2-1/2"

(4) ∅ ANCHOR
BOLTS WITH A 3" PROJECTION

BU6IN PE



4"x4" BOLT PATTERN
AT 3/4" OR 1" DIA
ANCHOR BOLTS

5"x5" BOLT PATTERN
AT 1-1/4" DIA
ANCHOR BOLTS

● = 2" OR 2-1/2"

▲ EACH ADDITIONAL SET OF ANCHOR BOLTS REQUIRED (BASED ON DESIGN) IS SPACED AT 4" OR 5" ON CENTER.

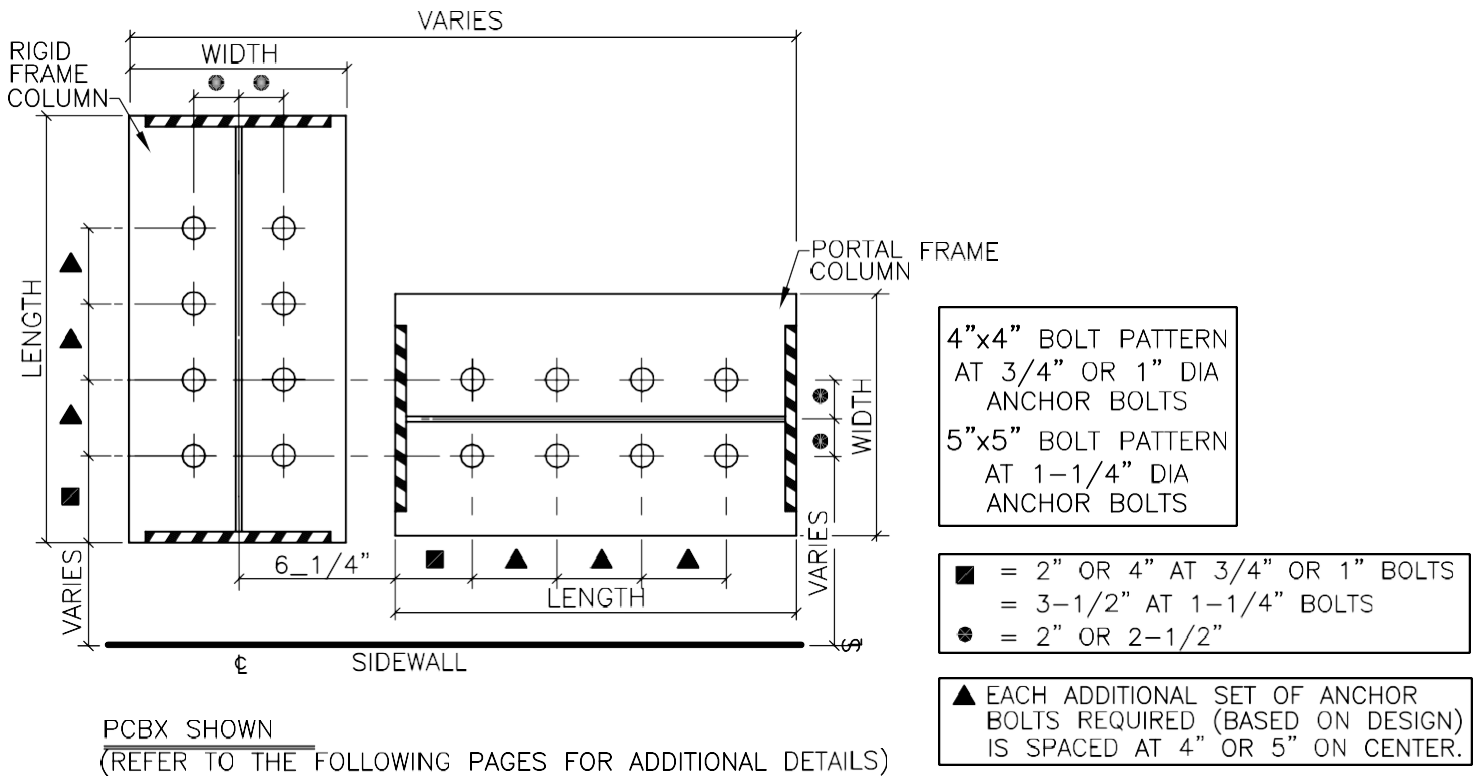
(6) ∅ ANCHOR
BOLTS WITH A 3" PROJECTION

AB0180PE – SIDEWALL PORTAL FRAMES – GENERAL INFORMATION

The detail below shows standard dimensions & anchor bolt placement for Portal Frame Columns. The detail shows anchor bolt locations for columns with 4, 6, & 8 anchor bolt requirements.

Typically portal columns will not have more than 4 anchor bolts required and the anchor bolts will be 1" diameter. However, variations occur – please check the design information carefully.

(Note that the rigid frame column and the portal frame column may not have the same bolt quantity or diameter.)



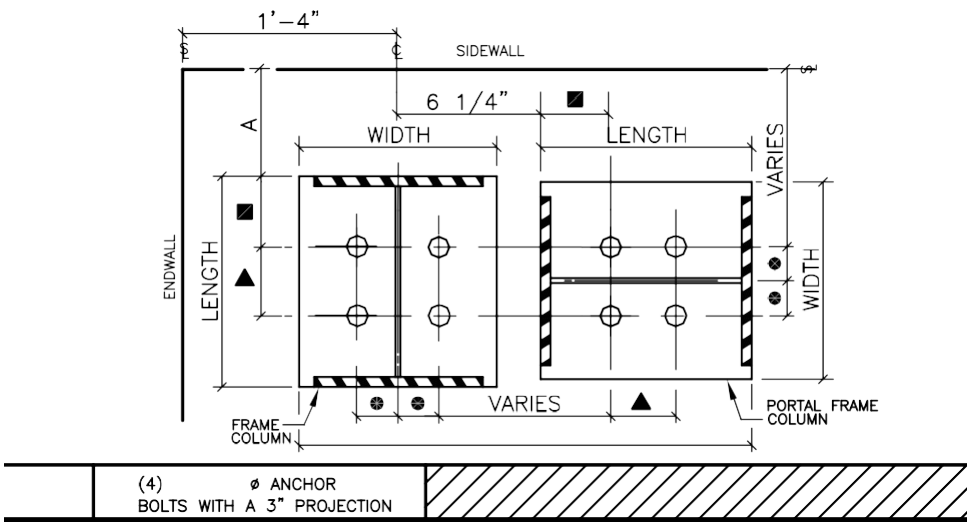
4"x4" BOLT PATTERN
AT 3/4" OR 1" DIA
ANCHOR BOLTS
5"x5" BOLT PATTERN
AT 1-1/4" DIA
ANCHOR BOLTS

■ = 2" OR 4" AT 3/4" OR 1" BOLTS
= 3-1/2" AT 1-1/4" BOLTS
● = 2" OR 2-1/2"

▲ EACH ADDITIONAL SET OF ANCHOR BOLTS REQUIRED (BASED ON DESIGN) IS SPACED AT 4" OR 5" ON CENTER.

SIDEWALL PORTAL FRAME CORNER COLUMNS

PC6TL PE



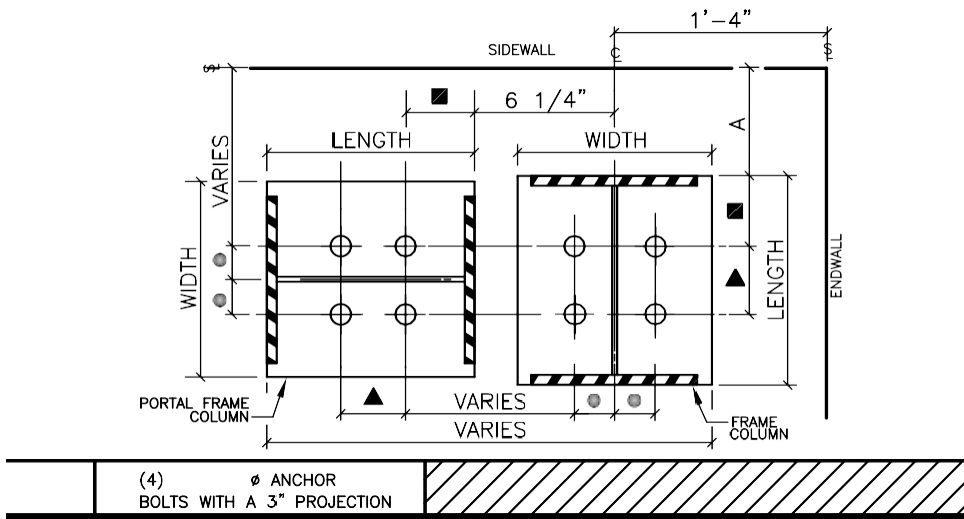
4"x4" BOLT PATTERN
AT 3/4" OR 1" DIA
ANCHOR BOLTS
5"x5" BOLT PATTERN
AT 1-1/4" DIA
ANCHOR BOLTS

■ = 2" OR 4" AT 3/4" OR 1" BOLTS
= 3-1/2" AT 1-1/4" BOLTS
⊕ = 2" OR 2-1/2"

▲ EACH ADDITIONAL SET OF ANCHOR BOLTS REQUIRED (BASED ON DESIGN) IS SPACED AT 4" OR 5" ON CENTER.

- A =
- 0" – FLUSH
 - 1" – INSET
 - 8" – 8" BYPASS GIRTS
 - 10" – 10" BYPASS GIRTS
 - 12" – 12" BYPASS GIRTS

PC6TR PE



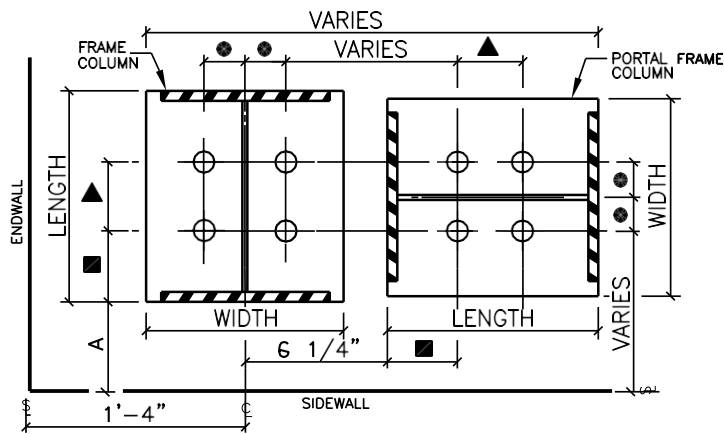
4"x4" BOLT PATTERN
AT 3/4" OR 1" DIA
ANCHOR BOLTS
5"x5" BOLT PATTERN
AT 1-1/4" DIA
ANCHOR BOLTS

■ = 2" OR 4" AT 3/4" OR 1" BOLTS
= 3-1/2" AT 1-1/4" BOLTS
● = 2" OR 2-1/2"

▲ EACH ADDITIONAL SET OF ANCHOR BOLTS REQUIRED (BASED ON DESIGN) IS SPACED AT 4" OR 5" ON CENTER.

- A =
- 0" – FLUSH
 - 1" – INSET
 - 8" – 8" BYPASS GIRTS
 - 10" – 10" BYPASS GIRTS
 - 12" – 12" BYPASS GIRTS

PC6BL PE



4"x4" BOLT PATTERN
AT 3/4" OR 1" DIA
ANCHOR BOLTS
5"x5" BOLT PATTERN
AT 1-1/4" DIA
ANCHOR BOLTS

■ = 2" OR 4" AT 3/4" OR 1" BOLTS
= 3-1/2" AT 1-1/4" BOLTS
● = 2" OR 2-1/2"

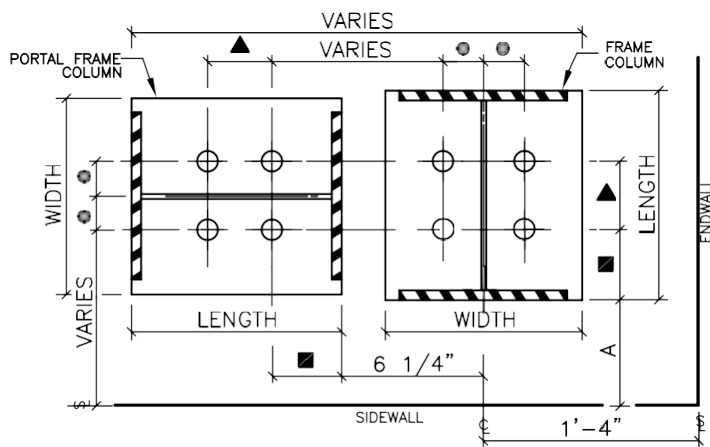
▲ EACH ADDITIONAL SET OF ANCHOR
BOLTS REQUIRED (BASED ON DESIGN)
IS SPACED AT 4" OR 5" ON CENTER.

(4) ○ ANCHOR
BOLTS WITH A 3" PROJECTION

- A =
- 0" – FLUSH
 - 1" – INSET
 - 8" – 8" BYPASS GIRTS
 - 10" – 10" BYPASS GIRTS
 - 12" – 12" BYPASS GIRTS



PC6BR PE



4"x4" BOLT PATTERN
AT 3/4" OR 1" DIA
ANCHOR BOLTS
5"x5" BOLT PATTERN
AT 1-1/4" DIA
ANCHOR BOLTS

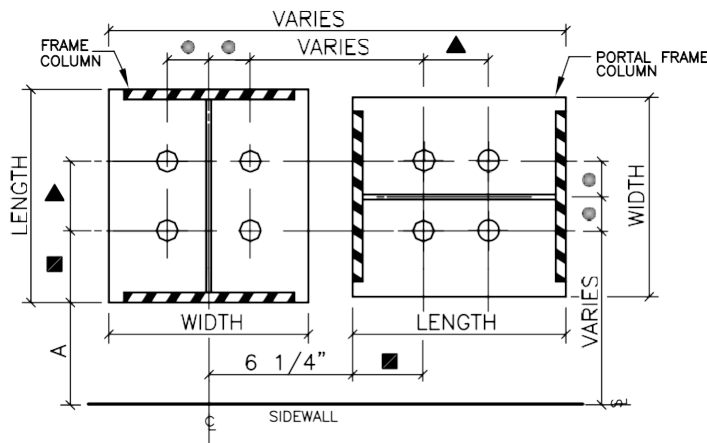
■ = 2" OR 4" AT 3/4" OR 1" BOLTS
= 3-1/2" AT 1-1/4" BOLTS
● = 2" OR 2-1/2"

▲ EACH ADDITIONAL SET OF ANCHOR
BOLTS REQUIRED (BASED ON DESIGN)
IS SPACED AT 4" OR 5" ON CENTER.

(4) ∅ ANCHOR BOLTS WITH A 3" PROJECTION

- A =
- 0" – FLUSH
 - 1" – INSET
 - 8" – 8" BYPASS GIRTS
 - 10" – 10" BYPASS GIRTS
 - 12" – 12" BYPASS GIRTS

PC6BLXPE



(4) ϕ ANCHOR BOLTS WITH A 3" PROJECTION

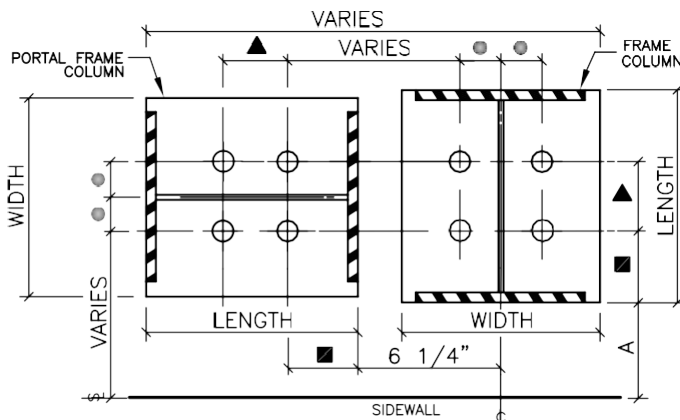
4"x4" BOLT PATTERN
AT 3/4" OR 1" DIA
ANCHOR BOLTS
5"x5" BOLT PATTERN
AT 1-1/4" DIA
ANCHOR BOLTS

■ = 2" OR 4" AT 3/4" OR 1" BOLTS
= 3-1/2" AT 1-1/4" BOLTS
● = 2" OR 2-1/2"

▲ EACH ADDITIONAL SET OF ANCHOR BOLTS REQUIRED (BASED ON DESIGN) IS SPACED AT 4" OR 5" ON CENTER.

- A =
- 0" – FLUSH
 - 1" – INSET
 - 8" – 8" BYPASS GIRTS
 - 10" – 10" BYPASS GIRTS
 - 12" – 12" BYPASS GIRTS

PC6BRXPE



(4) ϕ ANCHOR BOLTS WITH A 3" PROJECTION

4"x4" BOLT PATTERN
AT 3/4" OR 1" DIA
ANCHOR BOLTS

5"x5" BOLT PATTERN
AT 1-1/4" DIA
ANCHOR BOLTS

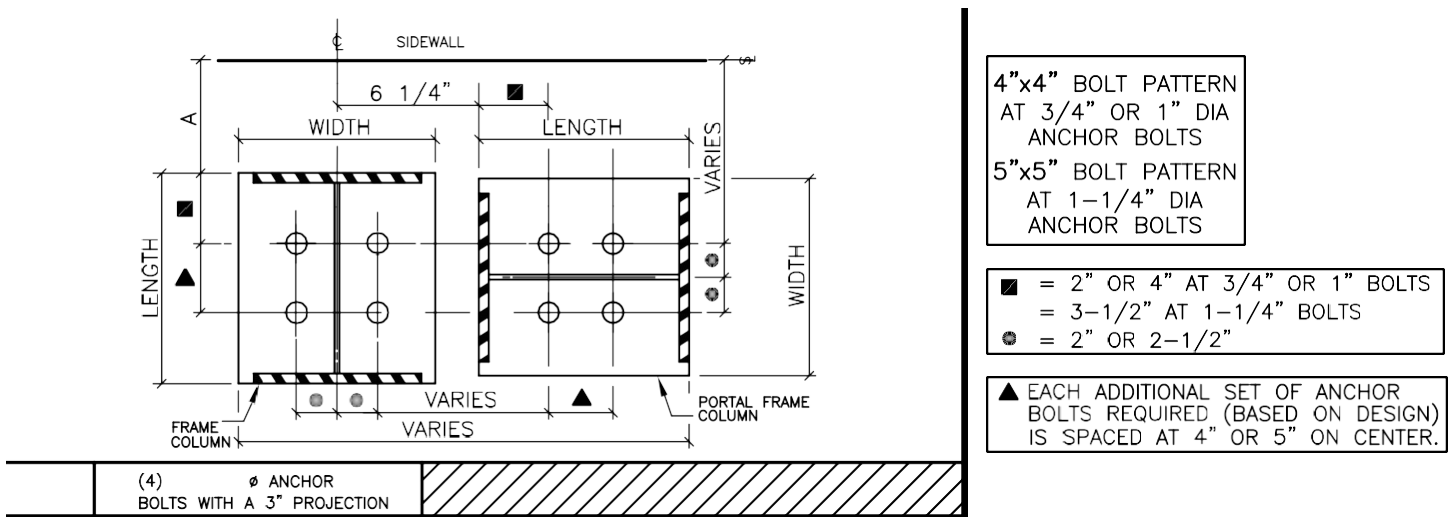
■ = 2" OR 4" AT 3/4" OR 1" BOLTS
= 3-1/2" AT 1-1/4" BOLTS

● = 2" OR 2-1/2"

▲ EACH ADDITIONAL SET OF ANCHOR BOLTS REQUIRED (BASED ON DESIGN) IS SPACED AT 4" OR 5" ON CENTER.

A = 0" – FLUSH
1" – INSET
8" – 8" BYPASS GIRTS
10" – 10" BYPASS GIRTS
12" – 12" BYPASS GIRTS

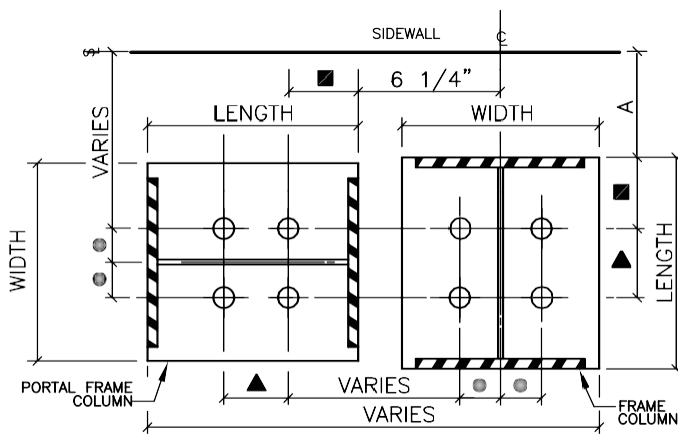
PC6TLXPE



- A =
- 0" – FLUSH
 - 1" – INSET
 - 8" – 8" BYPASS GIRTS
 - 10" – 10" BYPASS GIRTS
 - 12" – 12" BYPASS GIRTS



PC6TRXPE



4"x4" BOLT PATTERN
AT 3/4" OR 1" DIA
ANCHOR BOLTS

5"x5" BOLT PATTERN
AT 1-1/4" DIA
ANCHOR BOLTS

■ = 2" OR 4" AT 3/4" OR 1" BOLTS
= 3-1/2" AT 1-1/4" BOLTS

● = 2" OR 2-1/2"

▲ EACH ADDITIONAL SET OF ANCHOR BOLTS REQUIRED (BASED ON DESIGN) IS SPACED AT 4" OR 5" ON CENTER.

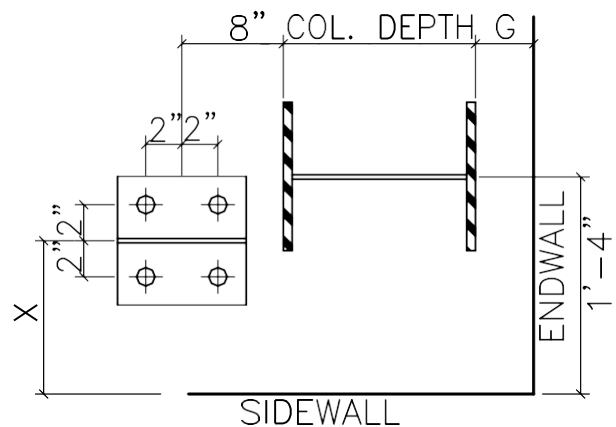
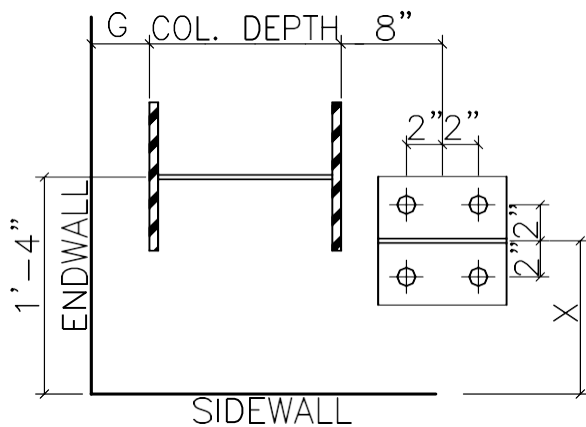
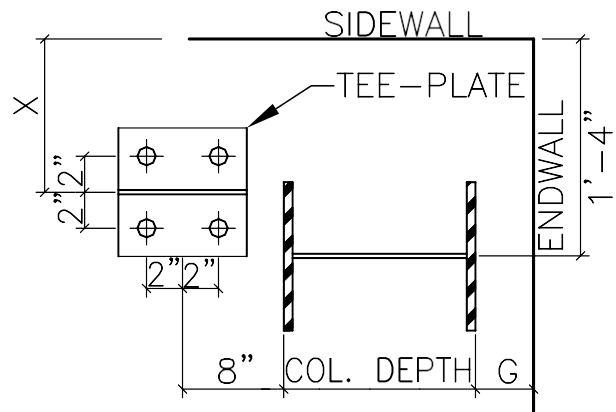
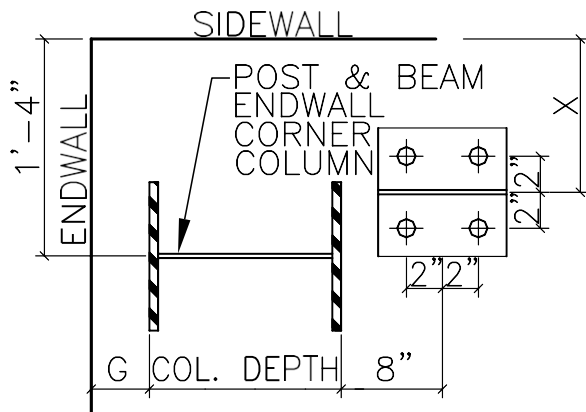
(4) ∅ ANCHOR BOLTS WITH A 3" PROJECTION

- A =
- 0" – FLUSH
 - 1" – INSET
 - 8" – 8" BYPASS GIRTS
 - 10" – 10" BYPASS GIRTS
 - 12" – 12" BYPASS GIRTS

AB0190PE – CORNER BRACING TEE PLATE DETAILS

NOTE:

BRACING TEE PLATES ARE USED WHEN A COLUMN IS ROTATED SUCH THAT ROD OR CABLE BRACING CANNOT PASS THROUGH THE COLUMN'S WEB.

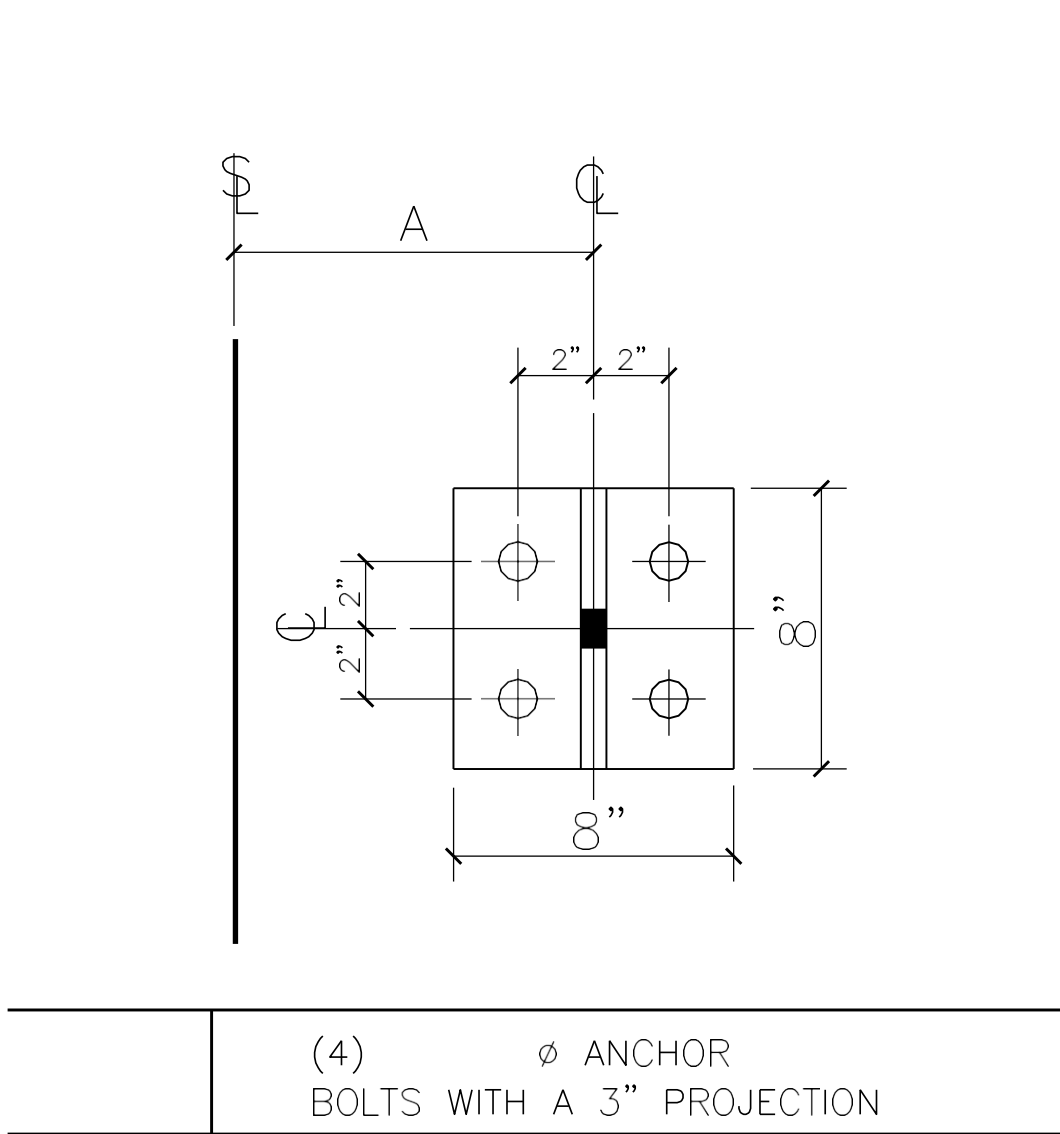


X = SIDEWALL GIRT OFFSET + 6"
 - 1" INSET + 6" = 7"
 - 8" BYPASS + 6" = 1'-2"
 - 10" BYPASS + 6" = 1'-4"

NOTE: WHEN THE SIDEWALL END BAY IS BRACED AND THE ADJACENT ENDWALL IS A POST & BEAM FRAME, THE STANDARD IS TO USE BRACING TEE PLATE AS SHOWN ABOVE.

BRACING TEE PLATES (AT INTERIOR BAYS)

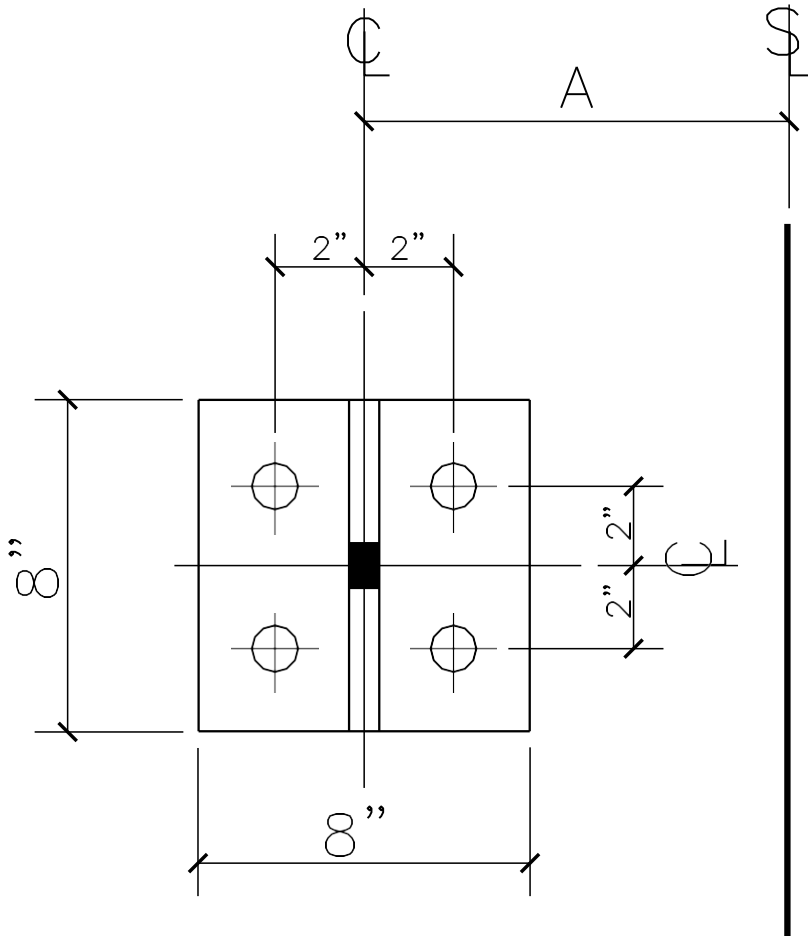
BT4LX PE



A = GIRT OFFSET PLUS 4"



BT4RX PE



(4) \emptyset ANCHOR
BOLTS WITH A 3" PROJECTION

A = GIRT OFFSET PLUS 4"

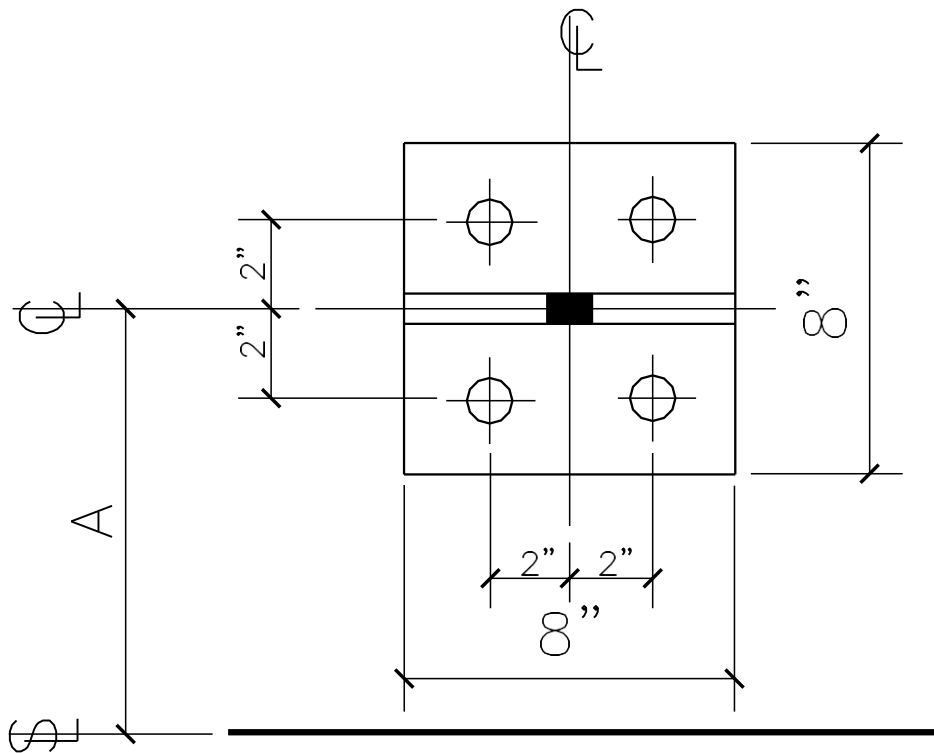
LAST REVISION
DATE: 08/14/08
BY: RJF CHK: AAJ

DETAIL NAME IF APPLICABLE
BT4RX_PE.DWG

10.0.51



BT4BX PE



(4) \emptyset ANCHOR
BOLTS WITH A 3" PROJECTION

A = GIRT OFFSET PLUS 4"

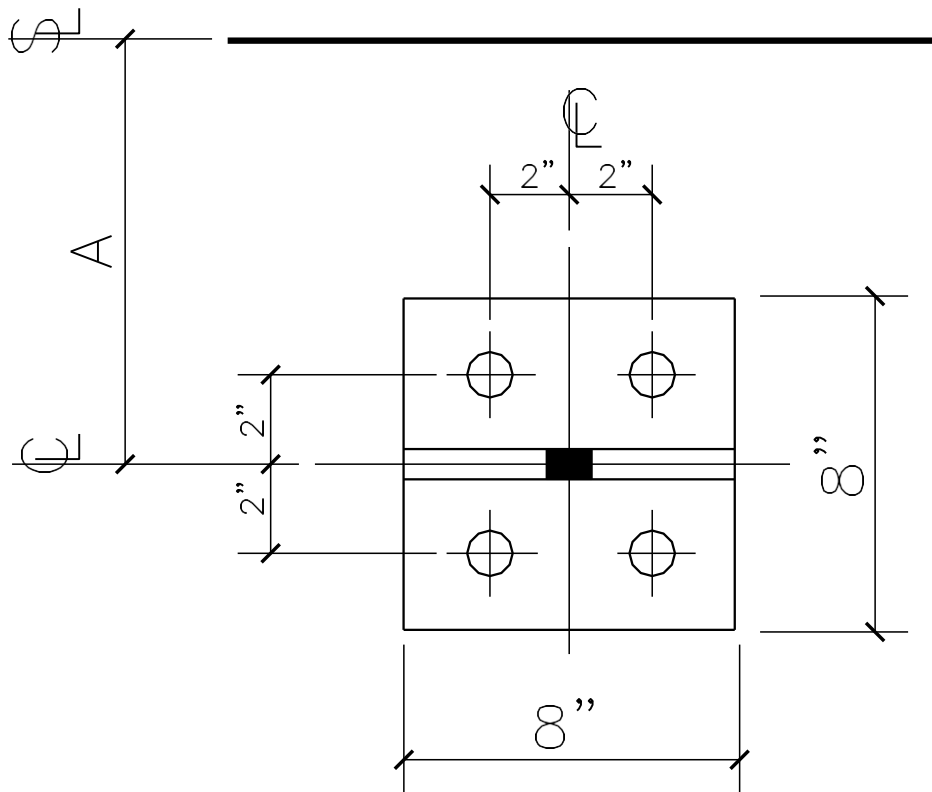
LAST REVISION
DATE: 08/14/08
BY: RJF CHK: AAJ

DETAIL NAME IF APPLICABLE
BT4BX_PE.DWG

10.0.52



BT4TX PE



(4) \emptyset ANCHOR
BOLTS WITH A 3" PROJECTION

A = GIRT OFFSET PLUS 4"